



**Analog signal isolators**  
**WAVE<sub>ANALOG</sub> OLP**  
**from the WAVESERIES**

<b>Type</b>	<b>Cat. No.</b>
Screw connection WAS5 CCC OLP	8543720000
Tension clamp connection WAZ5 CCC OLP	8543730000

Please read these instructions before using the product  
and retain for future information.

## 1. General instructions

**Warning!** The analogue signal isolators of the WAVE<sub>ANALOG</sub> may only be installed by qualified personnel. Be sure not to connect the unit to power supply before appropriate installation. Do not select ranges during operation, because live parts are exposed during this process.

Be sure to observe the national regulations for installation and selection of cables.



Appropriate safety measures against electrostatic discharge (ESD) should be taken during assembly and adjustment work on the WAVE<sub>ANALOG</sub> OLP.

## 2. Application

The analog signal isolator WAVE<sub>ANALOG</sub> OLP is used for the galvanic isolation and conditioning of current signals and voltage signals. The input signal can be calibrated via the DIP switch. It is **not** necessary to adjust the pre-settable measurement ranges. The output signal is linear to the input signal.

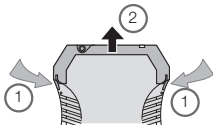
### 3. Configuration

#### 3.1 Equipment

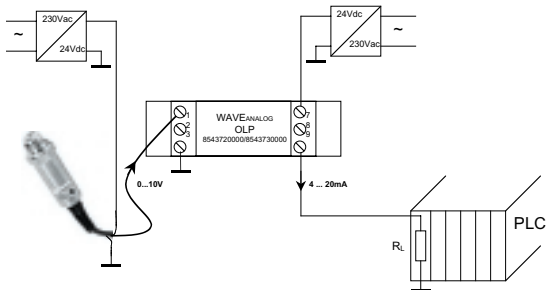
A screwdriver with a width of 2.5 mm is required to adjust the unit and to connect the wires to the terminals.

#### 3.2 Opening the unit

Disconnect the plugs. Disengage the top part of the housing by carefully pressing the latches on both sides (1). Pull out the top part of the housing and the electronics section until they lock (2).



#### 3.3 Application



#### 4. Mounting

Die The analogue signal isolators are mounted on standard TS 35 rails.

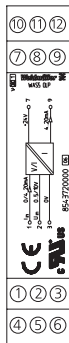
#### 5. Electrical connection

##### Terminal assignments

- 1 Current input 0/4... 20mA
- 2 Voltage input 0...10V
- 3 Input 0V-reference potential
- 4 Not assigned
- 5 Not assigned
- 6 Not assigned
- 7 Current loop 4...20 mA +
- 8 Not assigned
- 9 Current loop 4...20 mA -
- 10 Not assigned
- 11 Not assigned
- 12 Not assigned

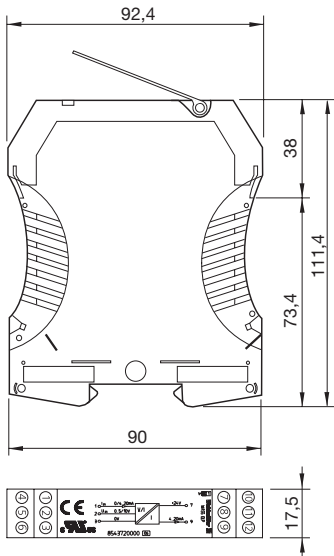
Wire cross-section max. 2.5 mm<sup>2</sup>

Multi-wire connection max. 1 mm<sup>2</sup>  
(two wires with same cross-section)



**Warning!** For applications with high isolation voltages, take measures to prevent accidental contact and make sure that there is sufficient distance or insulation between adjacent devices!

## 6. Dimensions in mm



## 7. Accessories Connection markers

<b>Designation</b>	<b>Cat. No.</b>
WS 10/5 Multicard for plotter marking	1635010000
WS 10/5 Neutral	1060860000

## 8. Notes on CE marking

The WAS5/WAZ5 PRO Freq. analog signal isolators are marked CE in accordance with the EU directives 89/336/EEC "Electromagnetic Compatibility" detailing the Harmonized European Standards (EN). The declarations of conformity are held, according the above mentioned EU directive, article 10, for the authorizing body by:

Weidmüller Interface GmbH & Co.  
Postfach 30 30  
32720 Detmold  
Phone +49 5231 14-0  
Fax +49 5231 14-2083  
e-mail: [info@weidmueller.com](mailto:info@weidmueller.com)  
[www.weidmueller.com](http://www.weidmueller.com)

