

**WAVEANALOG DC/DC**



## Analogue Signal Isolators

### WAVESERIES

#### WAVEANALOGUE DC/DC

#### Model

#### Order Number

#### Screw terminal connection

WAS5 CCC 0(4)...20 mA/0(4)...20 mA	8540180000
WAS5 CCC 0...20 mA/4...20 mA	8540250000
WAS5 CVC 0...20 mA/0...10 V	8540270000
WAS5 CCC 4...20 mA/0...20 mA	8540200000
WAS5 CVC 4...20 mA/0...10 V	8540230000
WAS5 VCC 0...10 V/0...20 mA	8540310000
WAS5 VCC 0...10 V/4...20 mA	8540290000
WAS5 VVC 0...10 V/0...10 V	8540330000

#### Tension clamp connection

WAZ5 CCC 0(4)...20 mA/0(4)...20 mA	8540190000
WAZ5 CCC 0...20 mA/4...20 mA	8540260000
WAZ5 CVC 0...20 mA/0...10 V	8540280000
WAZ5 CCC 4...20 mA/0...20 mA	8540210000
WAZ5 CVC 4...20 mA/0...10 V	8540240000
WAZ5 VCC 0...10 V/0...20 mA	8540320000
WAZ5 VCC 0...10 V/4...20 mA	8540300000
WAS5 VVC 0...10 V/0...10 V	8540340000

Please read these instructions before using the product and retain for future information.

## 1. General instructions

**Warning!** Analogue signal isolators from the WAVE<sub>ANALOGUE</sub> range should only be installed by qualified staff. Auxiliary power should only be supplied after the device has been installed by qualified staff. National standards and regulations (e. g., DIN VDE 0100 in Germany) must be observed when selecting and installing supply conductors.



Protective measures must be taken against electrostatic discharges (ESD) when installing and setting WAVE<sub>ANALOGUE</sub> devices.

## 2. Application

Analogue signal isolators are used for galvanic isolation and conversion of 0.4 mA and 10 V standard signals. Input and output signals are factory set according to type. It is **not** necessary to adjust the measurement range. The transmitted measurement signal is linear.

## 4. Mounting

The analogue signal isolators are mounted on standard TS 35 rails.

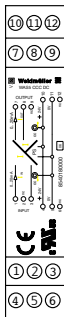
## 5. Electrical connection

### Terminal assignments

- 1 Input +I
- 2 Input +U
- 3 Input -
- 4 Power supply +24 Vdc (cross connected)
- 5 Power supply 0 V (cross connected)
- 6 no connection
- 7 Output +U/I
- 8 Output -I
- 9 Output -U
- 10 Power supply + 24 Vdc (cross connected)
- 11 Power supply 0 V (cross connected)
- 12 no connection

Wire cross-section max. 2.5 mm<sup>2</sup>

Multi-wire connection max. 1 mm<sup>2</sup>  
(two wires with same cross-section)



**Warning!** For applications with high isolation voltages, take measures to prevent accidental contact and make sure that there is sufficient distance or insulation between adjacent devices!

### 5.1 Power supply

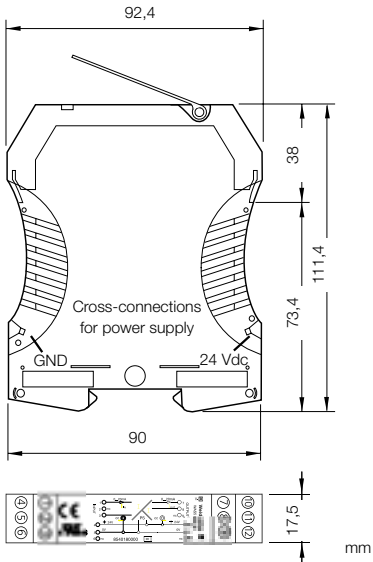
18...30 Vdc/approx. 1.5 W

Voltage supply via cross-connections

Operating carrying capacity of cross connection  $\leq 2$  A

(see Cat. No. point 7)

## 6. Dimensions



## 7. Accessories (cross-connection)

<b>Designation</b>	<b>Cat. No.</b>
ZQV 2,5 N/2 yellow	169380
ZQV 2,5 N/2 red	171790
ZQV 2,5 N/2 blue	171799
ZQV 2,5 N/2 black	171808

## Connection markers

<b>Designation</b>	<b>Cat. No.</b>
WS 10/5 Multicard for plotter marking	163501
WS 10/5 Neutral	106086

## 8. Notes on CE marking

The WAS5/WAZ5 DC/DC analog signal isolators are marked CE in accordance with the EU directives 89/336/EEC "Electromagnetic Compatibility" and 73/23/EEC (low-voltage directive) detailing the Harmonized European Standards (EN).

The declarations of conformity are held, according to the above mentioned EU directive, article 10, for the authorizing body by:

Weidmüller Interface GmbH & Co.  
Postfach 30 30  
D-32720 Detmold  
Tel. (05231) 14-0  
Fax (05231) 14-2083



**Weidmüller Interface GmbH & Co.**  
**Postfach 30 30**  
**D-32720 Detmold**  
**Tel. (0 52 31) 14-0**  
**Fax (0 52 31) 14-20 83**