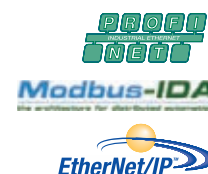
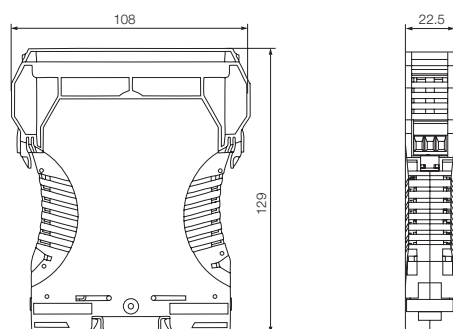


Switches without management functions

Unmanaged switch, WaveLine, 3-5 ports

- compact plastic housing



Unmanaged switch, WaveLine 3 to 5 ports

Weidmüller is continually adapting products in response to new technologies and customer needs. This allows users to setup network infrastructures within an industrial environment with speed and convenience. As a globally-recognized technical standard, Industrial Ethernet provides vendor-independent network connections and connections between the facility equipment and devices on these networks.

The WaveLine family of switches fits between 3 and 5 ports into the smallest of spaces with a compact plastic housing. With features such as auto-negotiation and auto-crossing and their operating temperature range of 0°C to +60°C, the WaveLine products are ideal for gaining a foothold in Industrial Ethernet wherever terminals have to be connected to your Ethernet in the simplest way. Our WS connector markers make labelling easy and give you an easy-to-read view into the electrical cabinet. Additional information on all appropriate labels or markers can be found in the Accessories chapter.

Ordering data

Number of ports	Type	Order No.
3 x RJ45	IE-SW3-WAVE	8897710000
3 x RJ45, 1 x SC multi-mode	IE-SW3/1SC-WAVE	8896920000
3 x RJ45, 1 x SC single-mode	IE-SW3/1SCS20-WAVE	8953090000
3 x RJ45, 1 x ST multi-mode	IE-SW3/1ST-WAVE	8896930000
3 x RJ45, 1 x LC multi-mode	IE-SW3/1LC-WAVE	8944350000
5 x RJ45	IE-SW5-WAVE	8896940000

Single-mode design up to 120 km available on request.

Accessories

Type	Order No.
RJ45 dust-protection plug	IE-DPC 8813490000
markers	WS 15/5 MC NEUTRAL 1609880000

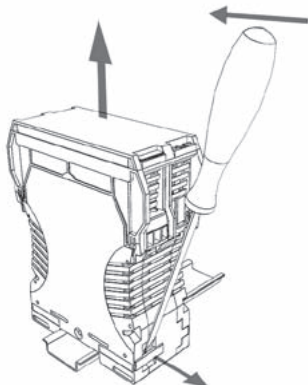
Cables and connection elements are found starting at Chapter C.

Technical data

Housing	Plastic
Length / Width / Height	108 mm / 22.5 mm / 127.8 mm
AC input voltage, min.-max.	12-24 V AC
DC input voltage, min.-max.	10-35 V DC
AC input power / DC	4 VA AC / 4 Watt DC
Input frequency	47 - 63 Hz
Operating temperature, min.-max.	0 °C-60 °C
Storage temperature, min.-max.	-40 °C-85 °C
Installation	TS 35
Protection class	IP 20
Standard	IEEE 802.3; 802.3u; 802.3x
Data rate	10 Base-T/100 Base-TX (copper) 100 Base-FX (fiber)
Segment length	Copper, 100 m; fiber multimode, 2 km; fiber singlemode 20 km
Functionality	Autonegotiation and Autocrossing (RJ45), redundant voltage supply
Flow control	HD (backpressure) / FD (pause)
Status indication	Data rate, Power, Connection/Activity
Approvals	cULus, Class I, Division 2, CE, EN55024, EN 55022, Gost R
Optical budget	8 dB for 62.5/125 µm multimode cable 4 dB for 50/125 µm multimode cable 13 dB for 9/125 µm singlemode cable
Aging	300 s
Supported protocols	Profinet RT, Modbus TCP, TCP/IP, Ethernet/IP

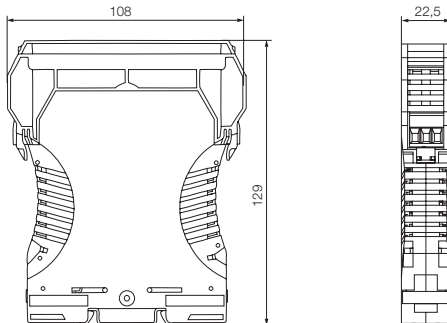
Note:

Rail assembly



Unmanaged switch, WaveLine with extended temperature range

- compact plastic housing

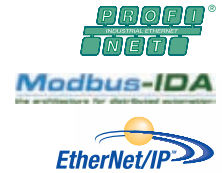
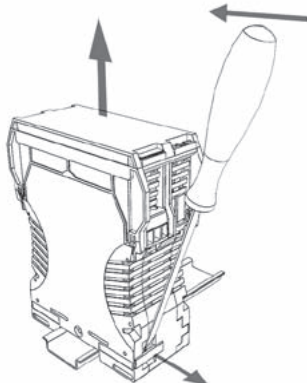


WaveLine with extended temperature range

Weidmüller is continually adapting products in response to new technologies and customer needs. This allows users to setup network infrastructures within an industrial environment with speed and convenience. As a globally-recognized technical standard, Industrial Ethernet provides vendor-independent network connections and connections between the facility equipment and devices on these networks.

The WaveLine product line integrates 3 to 5 ports in confined spaces in a compact plastic housing. With integrated features such as auto-negotiation and auto-crossing and their operating temperature range of -20°C to +60°C, the WaveLine products are ideal for gaining a foothold in Industrial Ethernet wherever terminals have to be connected to your Ethernet in the simplest way. Our WS connector markers make labelling easy and give you an easy-to-read view into the electrical cabinet. Additional information on all appropriate labels or markers can be found in the Accessories chapter.

Rail assembly



Ordering data

Number of ports	
3 x RJ45	
3 x RJ45, 1 x SC single-mode	
5 x RJ45	

Type	Order No.
IE-SW3-ETR-WAVE	8961210000
IE-SW3/1SCS20-ETR-WAVE	8962280000
IE-SW5-ETR-WAVE	8961220000

Single-mode design up to 120 km available on request.

Accessories

RJ45 dust-protection plug markers	
-----------------------------------	--

Note

Type	Order No.
IE-DPC	8813490000
WS 15/5 MC NEUTRAL	1609880000

Cables and connection elements are found starting at Chapter C.

Technical data

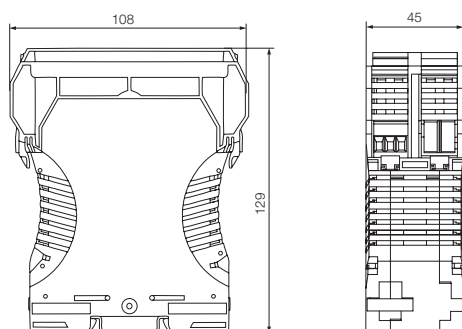
Housing	Plastic
Length / Width / Height	108 mm / 22.5 mm / 127.8 mm
AC input voltage, min.-max.	12-24 V AC
DC input voltage, min.-max.	10-35 V DC
AC input power / DC	4 VA AC / 4 W DC
Input frequency	47 - 63 Hz
Operating temperature, min.-max.	-20 °C-60 °C
Storage temperature, min.-max.	-40 °C-85 °C
Installation	TS 35
Protection class	IP 20
Standard	IEEE 802.3; 802.3u; 802.3x
Data rate	10 Base-T/100 Base-TX (copper) 100 Base-FX (fiber)
Segment length	Copper, 100 m; fiber multimode, 2 km; fiber singlemode 20 km
Functionality	Autonegotiation and Autocrossing (RJ45), redundant voltage supply
Flow control	HD (backpressure) / FD (pause)
Status indication	Data rate, Power, Connection/Activity
Approvals	cULus, Class I, Division 2, CE, EN55024, EN 55022, Gost R
Optical budget	8 dB for 62.5/125 µm multimode cable 4 dB for 50/125 µm multimode cable 13 dB for 9/125 µm singlemode cable
Aging	300 s
Supported protocols	Profinet RT, Modbus TCP, TCP/IP, EthernetIP

Note:

Switches without management functions

Unmanaged switch, WaveLine, 6-8 ports

- compact plastic housing



Unmanaged switch, WaveLine 6 to 8 ports

Weidmüller is continually adapting products in response to new technologies and customer needs. This allows users to setup network infrastructures within an industrial environment with speed and convenience. As a globally-recognized technical standard, Industrial Ethernet provides vendor-independent network connections and connections between the facility equipment and devices on these networks.

The WaveLine family of switches fit between 7 and 8 ports into the smallest of spaces with a compact plastic housing. With features such as auto-negotiation and auto-crossing and their operating temperature range of 0°C to +60°C, the WaveLine products are ideal for gaining a foothold in Industrial Ethernet wherever terminals have to be connected to your Ethernet in the simplest way. Our WS connector markers make labelling easy and give you an easy-to-read view into the electrical cabinet. Additional information on all appropriate labels or markers can be found in the Accessories chapter.

Ordering data

Number of ports	Type	Order No.
6 x RJ45, 1 x SC multi-mode	IE-SW6/1SC-WAVE	8896950000
6 x RJ45, 1 x SC single-mode	IE-SW6/1SCS20-WAVE	8953100000
6 x RJ45, 1 x ST multi-mode	IE-SW6/1ST-WAVE	8896960000
6 x RJ45, 1 x LC multi-mode	IE-SW6/1LC-WAVE	8944360000
8 x RJ45	IE-SW8-WAVE	8896970000

Single-mode design up to 120 km available on request.

Accessories

Type	Order No.
RJ45 dust-protection plug markers	IE-DPC 8813490000
	WS 15/5 MC NEUTRAL 1609880000

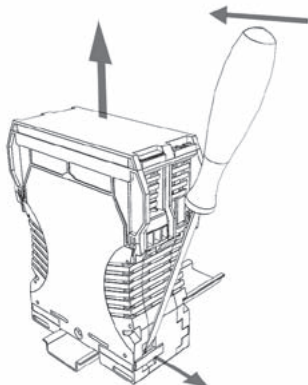
Cables and connection elements are found starting at Chapter C.

Technical data

Housing	Plastic
Length / Width / Height	108 mm / 45 mm / 127.8 mm
AC input voltage, min.-max.	12-24 V AC
DC input voltage, min.-max.	10-35 V DC
AC input power / DC	5 VA AC / 5 Watt DC
Input frequency	47 - 63 Hz
Operating temperature, min.-max.	0 °C-60 °C
Storage temperature, min.-max.	-40 °C-85 °C
Installation	TS 35
Protection class	IP 20
Standard	IEEE 802.3; 802.3u; 802.3x
Data rate	10 Base-T/100 Base-TX (copper) 100 Base-FX (fiber)
Segment length	Copper, 100 m: fiber multimode, 2 km: fiber singlemode 20 km
Functionality	Autonegotiation and Autocrossing (RJ45), redundant voltage supply
Flow control	HD (backpressure) / FD (pause)
Status indication	Data rate, Power, Connection/Activity
Approvals	cULus, Class I, Division 2, CE, EN55024, EN 55022, Gost R
Optical budget	8 dB for 62.5/125 µm multimode cable 4 dB for 50/125 µm multimode cable 13 dB for 9/125 µm singlemode cable
Aging	300 s
Supported protocols	Profinet RT, Modbus TCP, TCP/IP, Ethernet/IP

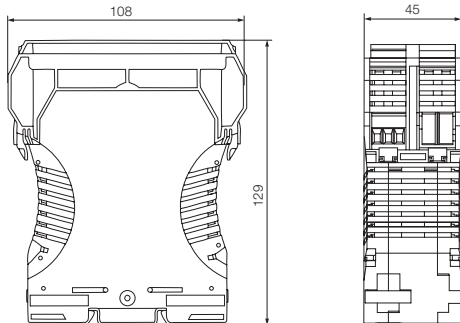
Note:

Rail assembly



Unmanaged switch, WaveLine with extended temperature range

- compact plastic housing

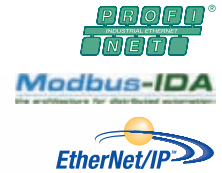
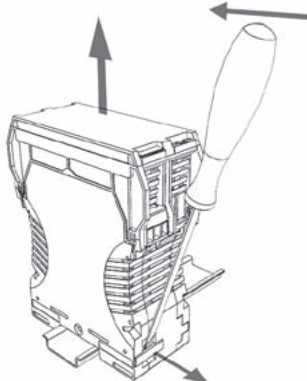


WaveLine with extended temperature range

Weidmüller is continually adapting products in response to new technologies and customer needs. This allows users to setup network infrastructures within an industrial environment with speed and convenience. As a globally-recognized technical standard, Industrial Ethernet provides vendor-independent network connections and connections between the facility equipment and devices on these networks.

The WaveLine family of switches fit between 7 and 8 ports into the smallest of spaces with a compact plastic housing. With features such as auto-negotiation and auto-crossing and their operating temperature range of 0°C to +60°C, the WaveLine products are ideal for gaining a foothold in Industrial Ethernet wherever terminals have to be connected to your Ethernet in the simplest way. Our WS connector markers make labelling easy and give you an easy-to-read view into the electrical cabinet. Additional information on all appropriate labels or markers can be found in the Accessories chapter.

Rail assembly



Ordering data

Number of ports	Type	Order No.
6 x RJ45, 1 x SC single-mode	IE-SW6/1SCS20-ETR-WAVE	8962290000
6 x RJ45, 2 x SC multi-mode	IE-SW6/2SC-ETR-WAVE	8953770000
6 x RJ45, 2 x ST multi-mode	IE-SW6/2ST-ETR-WAVE	8953790000
6 x RJ45, 2 x LC multi-mode	IE-SW6/2LC-ETR-WAVE	8953780000
6 x RJ45, 2 x SCRJ multi-mode	IE-SW6/2SCRJ-ETR-WAVE	8953800000

Single-mode design up to 120 km available on request.

Accessories

Type	Order No.	
RJ45 dust-protection plug markers	IE-DPC	8813490000
	WS 15/5 MC NEUTRAL	1609880000

Note: Cables and connection elements are found starting at Chapter C.

Technical data

Housing	Plastic
Length / Width / Height	108 mm / 45 mm / 127.8 mm
AC input voltage, min.-max.	12-24 V AC
DC input voltage, min.-max.	10-35 V DC
AC input power / DC	5 VA AC / 5 W DC
Input frequency	47 - 63 Hz
Operating temperature, min.-max.	-20 °C-60 °C
Storage temperature, min.-max.	-40 °C-85 °C
Installation	TS 35
Protection class	IP 20
Standard	IEEE 802.3; 802.3u; 802.3x
Data rate	10 Base-T/100 Base-TX (copper) 100 Base-FX (fiber)
Segment length	Copper, 100 m: fiber multimode, 2 km: fiber singlemode 20 km
Functionality	Autonegotiation and Autocrossing (RJ45), redundant voltage supply
Flow control	HD (backpressure) / FD (pause)
Status indication	Data rate, Power, Connection/Activity
Approvals	cULus, Class I, Division 2, CE, EN55024, EN 55022, Gost R
Optical budget	8 dB for 62.5/125 µm multimode cable 4 dB for 50/125 µm multimode cable 13 dB for 9/125 µm singlemode cable
Aging	300 s
Supported protocols	Profinet RT, Modbus TCP, TCP/IP, EthernetIP

Note: