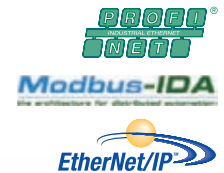
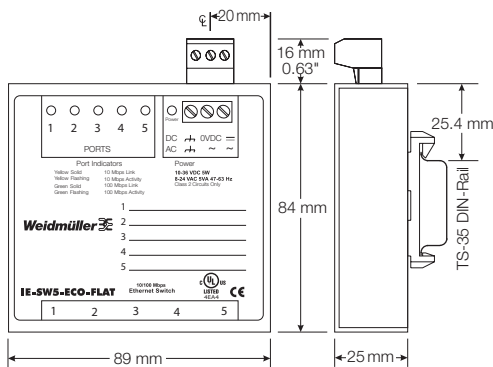


Switches without management functions

Unmanaged switch, ECO-Line 5 port flat

- Compact aluminum housing



Unmanaged switch, ECO-Line 5 port flat

The ECO-Line family of products allow you to make an affordable start in Industrial Ethernet. They feature auto-negotiation and auto-crossing integrated into a compact aluminum housing. With their operating temperature range of 0°C to +60°C, the ECO-Line products are ideal for usage wherever terminal end devices need to be connected to your Ethernet in the simplest way.

Ordering data

Number of ports	Type	Order No.
5 x RJ45	IE-SW5-ECO-FLAT	8833790000

Accessories

Type	Order No.
RJ45 dust-protection plug	8813490000

Note Cables and connection elements are found starting at Chapter C.

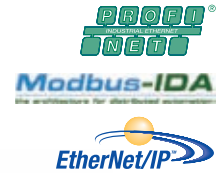
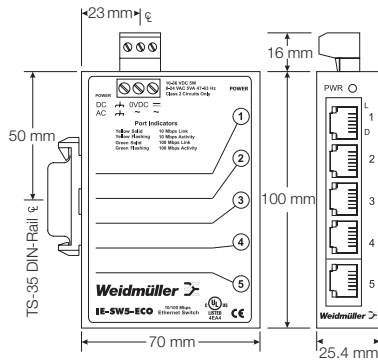
Technical data

Housing	Aluminum
Length / Width / Height	34 mm / 89 mm / 84 mm
AC input voltage, min.-max.	8-24 V AC
DC input voltage, min.-max.	10-36 V DC
AC input power / DC	5 VA AC / 5 Watt DC
Input frequency	47 - 63 Hz
Operating temperature, min.-max.	0 °C-60 °C
Storage temperature, min.-max.	-40 °C-85 °C
Installation	DIN Rail Mount TS 35
Protection class	IP 20
Standard	ANSI / IEEE 802.3
Data rate	10BASE-T or 100BASE-TX
Segment length	Copper, 100 m; fiber (multimode), 2 km
Functionality	Autonegotiation, Autocrossing
Flow control	half-duplex/full duplex
Status indication	Power, Connection/Activity
Approvals	cULus, Class I, Division 2, CE, EN55024, EN 55022, Gost R
Aging	300 s
Supported protocols	Profinet RT, Modbus TCP, TCP/IP, Ethernet/IP

Note:

Unmanaged switch, ECO-Line 5 port

- Compact aluminum housing



Unmanaged switch, ECO-Line 5 port

The ECO-Line family of products allow you to make an affordable start in Industrial Ethernet. They feature auto-negotiation and auto-crossing integrated into a compact aluminum housing. With their operating temperature range of 0°C to +60°C, the ECO-Line products are ideal for usage wherever terminal end devices need to be connected to your Ethernet in the simplest way.

Ordering data

Number of ports	Type	Order No.
5 x RJ45	IE-SW5-ECO	8808230000

Accessories

Type	Order No.
RJ45 dust-protection plug	8813490000

Note
Cables and connection elements are found starting at Chapter C.

Technical data

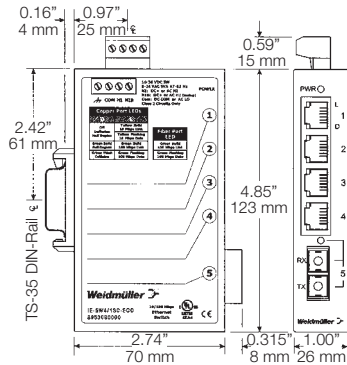
Housing	Aluminum
Length / Width / Height	70 mm / 25.5 mm / 100 mm
AC input voltage, min.-max.	8-24 V AC
DC input voltage, min.-max.	10-36 V DC
AC input power / DC	5 VA AC / 5 Watt DC
Input frequency	47 - 63 Hz
Operating temperature, min.-max.	0 °C-60 °C
Storage temperature, min.-max.	-40 °C-85 °C
Installation	DIN Rail Mount TS 35
Protection class	IP 20
Standard	ANSI / IEEE 802.3
Data rate	10BASE-T or 100BASE-TX
Segment length	Copper, 100 m; fiber (multimode), 2 km
Functionality	Autonegotiation, Autocrossing*
Flow control	half-duplex/full duplex
Status indication	Power, Connection/Activity
Approvals	cULus, Class I, Division 2, CE, EN55024, EN 55022, Gost R
Aging	300 s
Supported protocols	Profinet RT, Modbus TCP, TCP/IP, EthernetIP

Note:

Switches without management functions

Unmanaged switch, ECO-Line 4 port

- Compact aluminum housing



Unmanaged switch, ECO-Line 4 port

Note

The ECO-Line family of products allow you to make an affordable start in Industrial Ethernet. They feature auto-negotiation and auto-crossing integrated into a compact aluminum housing. With their operating temperature range of 0°C to +60°C, the ECO-Line products are ideal for usage wherever terminal end devices need to be connected to your Ethernet in the simplest way.

Ordering data

Number of ports
4 x RJ45, 1 x SC multi-mode
4 x RJ45, 1 x ST multi-mode

Note

Type	Order No.
IE-SW4/1SC-ECO	8953080000
IE-SW4/1ST-ECO	8953060000

Accessories

Type	Order No.
RJ45 dust-protection plug	IE-DPC

Note

Type	Order No.
RJ45 dust-protection plug	8813490000

Cables and connection elements are found starting at Chapter C.

Technical data

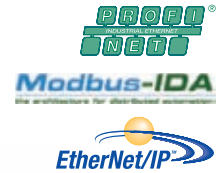
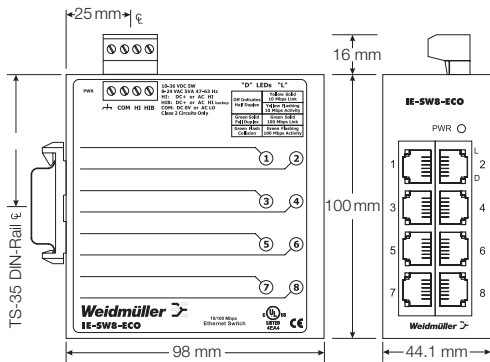
Housing	Aluminum
Length / Width / Height	70 mm / 25.5 mm / 100 mm
AC input voltage, min.-max.	8-24 V AC
DC input voltage, min.-max.	10-36 V DC
AC input power / DC	5 VA AC / 5 W DC
Input frequency	47 - 63 Hz
Operating temperature, min.-max.	0 °C-60 °C
Storage temperature, min.-max.	-40 °C-85 °C
Installation	TS 35
Protection class	IP 20
Standard	ANSI / IEEE 802.3
Data rate	10 Base-T/100 Base-TX (copper) 100 Base-FX (fiber)
Segment length	Copper, 100 m; fiber (multimode), 2 km
Functionality	Auto-negotiation, Auto-crossing
Flow control	half-duplex/full duplex
Status indication	Power, Connection/Activity
Approvals	cULus, CE, EN55024, EN 55022, Gost R
Optical budget	8 dB on 62.5/125 µm multi-mode cable 4 dB on 50/125 µm multi-mode cable
Aging	300 s
Supported protocols	Profinet RT, Modbus TCP, TCP/IP, Ethernet/IP

Note:

Class I, Division 2 is pending

Unmanaged switch, ECO-Line 8 port

- Compact aluminum housing



Unmanaged switch, ECO-Line 8 port

The ECO-Line family of products allow you to make an affordable start in Industrial Ethernet. They feature auto-negotiation and auto-crossing integrated into a compact aluminum housing. With their operating temperature range of 0°C to +60°C, the ECO-Line products are ideal for usage wherever terminal end devices need to be connected to your Ethernet in the simplest way.

Ordering data

Number of ports	Type	Order No.
8 x RJ45	IE-SW8-ECO	8829430000

Accessories

Type	Order No.
RJ45 dust-protection plug	8813490000

Note
Cables and connection elements are found starting at Chapter C.

Technical data

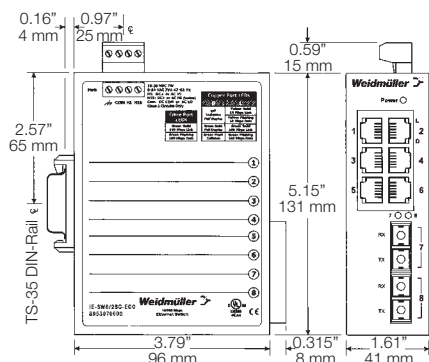
Housing	Aluminum
Length / Width / Height	104 mm / 41 mm / 105 mm
AC input voltage, min.-max.	8-24 V AC
DC input voltage, min.-max.	10-36 V DC
AC input power / DC	6 VA AC / 6 Watt DC
Input frequency	47 - 63 Hz
Operating temperature, min.-max.	0 °C-60 °C
Storage temperature, min.-max.	-40 °C-85 °C
Installation	TS 35; can be mounted horizontally or vertically
Protection class	IP 20
Standard	ANSI / IEEE 802.3
Data rate	10BASE-T or 100BASE-TX
Segment length	Copper, 100 m; fiber (multimode), 2 km
Functionality	Autonegotiation, Autocrossing, redundant power supply
Flow control	half-duplex/full duplex
Status indication	Power, Connection/Activity
Approvals	cULus, Class I, Division 2, CE, EN55024, EN 55022, Gost R
Aging	300 s
Supported protocols	Profinet RT, Modbus TCP, TCP/IP, EthernetIP

Note:

Switches without management functions

Unmanaged switch, ECO-Line 6 port

- Compact aluminum housing



Unmanaged switch, ECO-Line 6 port

Note

The ECO-Line family of products allow you to make an affordable start in Industrial Ethernet. They feature auto-negotiation and auto-crossing integrated into a compact aluminum housing. With their operating temperature range of 0°C to +60°C, the ECO-Line products are ideal for usage wherever terminal end devices need to be connected to your Ethernet in the simplest way.



Ordering data

Number of ports
6 x RJ45, 2 x SC multi-mode
6 x RJ45, 2 x ST multi-mode
Note

Type	Order No.
IE-SW6/2SC-ECO	8953070000
IE-SW6/2ST-ECO	8953050000

Accessories

RJ45 dust-protection plug
Note

Type	Order No.
IE-DPC	8813490000
Cables and connection elements are found starting at Chapter C.	

Technical data

Housing	Aluminum
Length / Width / Height	104 mm / 41 mm / 105 mm
AC input voltage, min.-max.	8-24 V AC
DC input voltage, min.-max.	10-36 V DC
AC input power / DC	6 VA AC / 6 W DC
Input frequency	47 - 63 Hz
Operating temperature, min.-max.	0 °C-60 °C
Storage temperature, min.-max.	-40 °C-85 °C
Installation	TS 35; can be mounted horizontally or vertically
Protection class	IP 20
Standard	ANSI / IEEE 802.3
Data rate	10 Base-T/100 Base-TX (copper) 100 Base-FX (fiber)
Segment length	Copper, 100 m; fiber (multimode), 2 km
Functionality	Auto-negotiation, auto-crossing, redundant power supply
Flow control	half-duplex/full duplex
Status indication	Power, Connection/Activity
Approvals	cULus, CE, EN55024, EN 55022, Gost R
Optical budget	8 dB on 62.5/125 µm multi-mode cable 4 dB on 50/125 µm multi-mode cable
Aging	300 s
Supported protocols	Profinet RT, Modbus TCP, TCP/IP, EthernetIP

Note: Class I, Division 2 is pending