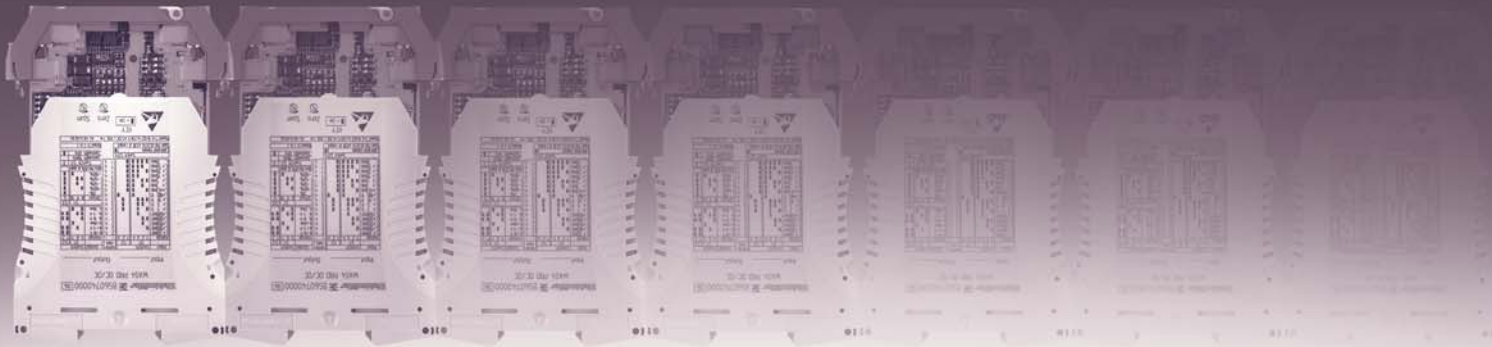


CLASS 1 DIVISION 2 PRODUCTS CLASS 1 DIVISION 2 PRODUCTS

UPDATED



CLASS 1 DIVISION 2 PRODUCTS

Product Information



TABLE OF CONTENTS

Heat Trace Connectors	2
Fuse Blocks	2
Non-Incendive Barriers	3
Relays	4
Opto Couplers	5
Analog Signal Conditioners	6
Power Supplies	8
Electronic Circuit Protection ESX10-T	10
Surge Protection Devices	11
Industrial Ethernet Products	14
Industrial Wireless Products	17

HEAT TRACE CONNECTORS

Weidmüller presents the new and innovative Heat Trace Connector for use in the process industry, and applications within the harsh outdoor environments in the oil industry. Our Heat Trace Connector is designed to connect heat trace MI cables securely, reliably and efficiently. Product advantages are:

- Coaxial connector design with 360 degree coil spring interconnects approved for MIL spec applications
- Redundant sealing system providing **IP67** protection class
- Vibration and corrosion proof clamping yoke elements as found in standard Weidmüller connectivity products
- Integrated grounding system
- Corrosion and impact resistant single piece housing
- Standard tooling installation and operation: flat blade screwdriver only, no crimp tool required
- Available with two-poles, 14-8 AWG, rated at 35A, 600Vac plus integrated PE (ground)
- CSA Class1 Division2/Zone2 approval, T6 temperature code, -50C to +60C



Male



Female

Type	Description	Part No.
HDC HTC M	3/4" NPT Plug (MALE)	1023890000
HDC HTC F	3/4" NPT Socket (FEMALE)	1023880000



PASSIVE INTERFACES

Weidmüller's first Class 1 Division 2 approved, DIN rail mounted fuse block.

The WSI 4/2 fuse terminal offers you a low-height solution for implementing short-circuit and overload protection in your applications. Standard clamping yoke system up to 4 mm². Blown fuse indicated by means of LED across the voltage ranges 10 - 250 V. Combi-foot, TS 32 and TS 35 mounting rails. Simple unlocking and interlinking of the disconnect levers. Large-area marking options with the proven standard DEK/WS markers. CSA C1D2, Groups A, B, C, D; temperature code T6.



Type	Voltage	Part No.
WSI 4/2 C1D2	No LED	7940022562
WSI 4/2/LD C1D2	10-60Vuc	7940022563
WSI 4/2/LD C1D2	100-250 Vuc	7940022564

NON-INCENDIVE BARRIERS

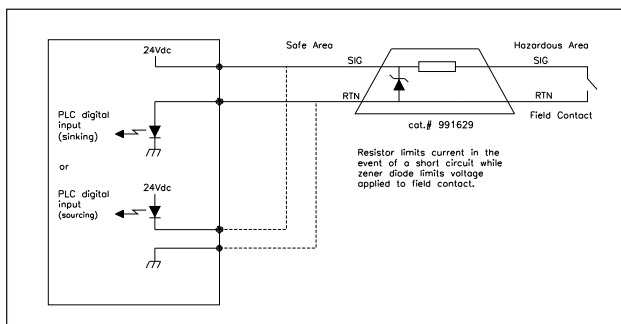
Two non-incendive barriers are available. One for 24Vdc discrete signals and another for 4-20mA analog signals from 2 wire transmitters.

Both modules limit the current in a circuit in the event of a fault. The 4-20mA version provides a 24Vdc signal to indicate it is in fault mode. By rating a circuit non-incendive it is possible to use non-explosion proof devices in Class 1 Division 2 applications.

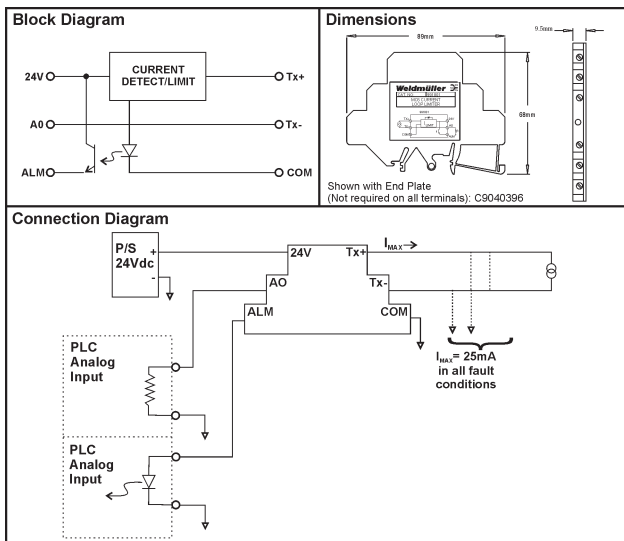


Type	Approvals	Part No.
DISCRETE MCG NON-INCENDIVE BARRIER (DIG)	Groups A,B,C,D; T3A	9916290000
ANALOG MCG NON-INCENDIVE BARRIER (ANG)	Groups A,B,C,D	9918010000 *

* 2 wire transmitters only



Connection diagram for 9916290000



Connection diagram for 9918010000

RELAY MODULES

Weidmuller now offers a growing number of electromechanical relays approved for Class 1 Division 2 applications. The MRS and MRZ versions provide a socket mounted relay while the MC5R version is the smallest and mounts on both 32mm and 35mm DIN rails. MRS versions use screw clamp terminations while the MRZ use tension clamps. All versions are just 6mm wide.

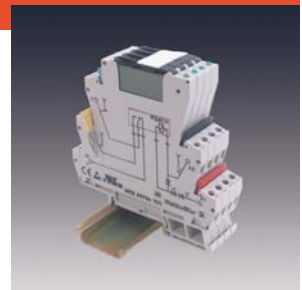
The RS32 version is a DPDT relay that mounts onto TS32/TS35 DIN rail.

Approvals:

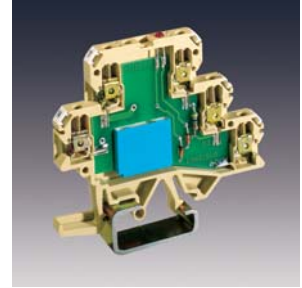
- 1 - CE, cURus, CSA, CSA C1D2 Groups A, B, C, D Temp code T6
- 2 - CSA C1D2 Groups A,B, C, D. Temp Code T6
- 3 - cULus C1D2 Groups A, B, C, D

Type	Input (resistive)	Output max. Configuration	Contact	Approvals	Part No.
MC5R 12Vdc & 24V DC N/O	12/24Vdc	250V @ 4A	Form A / SPST	1	7901540000
MRS 12Vdc C1D2 Secured Lever	12Vdc	250V @ 6A	Form C / SPDT	2	7940004779
MRZ 12Vdc C1D2 Secured Lever	12Vdc	250V @ 6A	Form C / SPDT	2	7940004780
MRS 12Vdc 1CO C1D2	12Vdc	250V @ 6A	Form C / SPDT	3	8967340000
MRS 230Vuc 1CO C1D2	230Vuc	250V @ 6A	Form C / SPDT	3	8967380000
MRS 24Vdc C1D2 Secured Lever	24Vdc	250V @ 6A	Form C / SPDT	2	7940004781
MRZ 24Vdc C1D2 Secured Lever	24Vdc	250V @ 6A	Form C / SPDT	2	7940004782
MRS 24Vdc 1CO C1D2	24Vdc	250V @ 6A	Form C / SPDT	3	8967350000
MRS 24Vuc 1CO C1D2	24Vuc	250V @ 6A	Form C / SPDT	3	8967360000
MRS 120Vac C1D2 Secured Lever	120Vuc	250V @ 6A	Form C / SPDT	2	7940004783
MRZ 120Vac C1D2 Secured Lever	120Vuc	250V @ 6A	Form C / SPDT	2	7940007484
MRZ 120Vuc RC C1D2 Secured Lever	120Vuc RC	250V @ 6A	Form C / SPDT	2	7940023881 *
MRS 120Vuc RC C1D2 Secured Lever	120Vuc RC	250V @ 6A	Form C / SPDT	2	7940023882 *
MRS 120Vuc 1CO RC C1D2	120Vuc RC	250V @ 6A	Form C / SPDT	3	8967370000

* C1D2 pending. Consult factory for availability



MRS/Z



MC5R

SOLID STATE RELAY / SOLENOID DRIVER

The picoPak MC50 is designed for controlling 24Vdc solenoids. The output is rated 5-34Vdc @ 10A resistive. The control input is 24Vdc. A low on-state resistance (less than 10mM) minimizes power dissipation. The MC50 is just 6mm wide and mounts on both 32mm and 35mm DIN rails.

cURus, CSA C1D2 Groups A, B, C, D

Type	Input	Output	Part No.
MC50 24Vdc/5-34Vdc 10A RES	24Vdc	5-34Vdc	7901690001



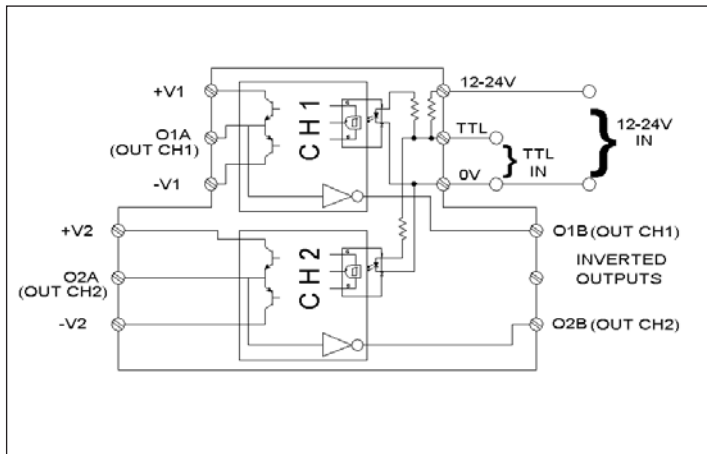
OPTOCOUPLER MODULE

The MPI-Opto module provides 2 isolated outputs making it ideal for interfacing a single field device such as a flowmeter to two inputs such as a local display and a PLC input. It is suitable for use with 5V and 12-24V signals and has a switching frequency up to 50KHz. Other features include inverted outputs and compact packaging.

CSA C1D2 Groups A,B, C, D. Temp Code T6



Type	Input	Output	Part No.
WavePak MPI-OPTO	SVTTL-24Vdc	(x2) 5-28Vdc + inverted output	9916080000

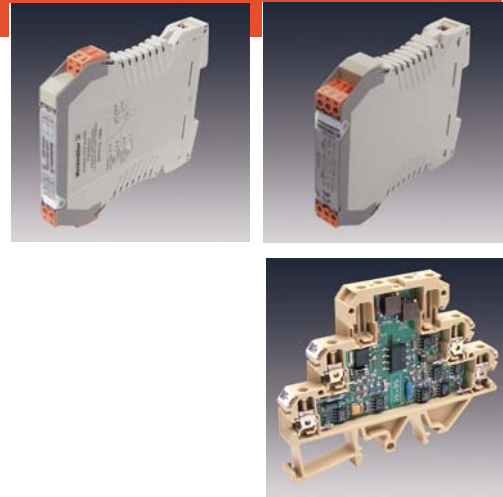


LOOP POWERED ISOLATORS

The **WaveAnalog CCC Loop powered isolator** modules provide isolation for 4-20mA current loops. They are transformer coupled so the input loop powers the output loop. The voltage drop across the input varies depending on the output load (maximum 500M). One and two channel versions are available and each is available with screw clamp (WAS) or tension clamp (WAZ) connectors. Response time is very fast (just 4.5ms).

The **WavePak Loop Splitter** provides one 4-20mA input and two isolated 4-20mA outputs. It was designed for applications where a transmitter is to be interfaced to two devices such as a local indicator or totalizer and a PLC or DCS analog input. Isolation is optical so the output loop impedance does not affect the input loop. Input and outputs are loop powered. The isolation is 1000V between input and output and between outputs. The housing is 12,5mm wide and the connections are plug-and-socket. Access to span and zero potentiometers is via the hinged cover on the top of the modules.

The **picoPak** module provides 2000V of isolation for 4-20mA current loops. Both the input and output are loop powered. The isolation is optical so the output loop impedance does not affect the input. The response time is 5ms typical. The picoPak I/I is 8mm wide (9.5mm with optional end plate) and mounts on both 32mm and 35mm DIN rails.



Type	Input	Output	Approvals	Part No.
PICOPAK I TO I / DK6 4..20/4..20mA W/ AP	Loop Powered 4 to 20mA	Loop Powered 4 to 20mA	CE, CSA, CSA C1D2	990880000
WAS5 CCC LP 0-20-0-20mA	0(4) to 20mA	0(4) to 20mA	CE, CSA, UL, cULus C1D2	8444950000
WAZ5 CCC LP 0-20-0-20mA	0(4) to 20mA	0(4) to 20mA	CE, CSA, UL, cULus C1D2	8444960000
WAS5 CCC LP 0-20/0-20mA	0(4) to 20mA 2 Channel	0(4) to 20mA 2 Channel	CE, CSA, UL, cULus C1D2	8463580000
WAZ5 CCC LP 0-20/0-20mA	0(4) to 20mA 2 Channel	0(4) to 20mA 2 Channel	CE, CSA, UL, cULus C1D2	8463590000
WAVEPAK LOOP SPLITTER C1D2,Z2	Loop Powered 4 to 20mA	Loop Powered 2 Channel 4 to 20mA	CSA C1D2 Zone 2, Groups	7920400000
WAS5 CCC 20LP LP TWO CH	4 to 20mA	Loop Powered 2 Channel 4 to 20mA	CE, CSA, UL, cULus C1D2	8581160000
WAZ5 CCC 20LP LP TWO CH	4 to 20mA	Loop Powered 2 Channel 4 to 20mA	CE, CSA, UL, cULus C1D2	8581170000

RTD INPUTS

WAVEPRO RTD

3 port isolated, switch configurable for Pt, Ni or Cu RTD's plus potentiometer and resistance in one signal conditioner. One module can be configured for hundreds of temperature ranges, 2, 3 or 4 wire sensors, 3 output ranges and 2 response times. It can also be used with 2 wire resistive sensors and potentiometers. No span and zero calibration is required when switching between standard ranges and RTD types. CE, CSA, UL, cULus C1D2 Groups A, B, C, D Temp Code T6.



Micro Analog units are approved for CE, cURus, cULus C1D2 Groups A, B, C, D Temp Code T4

Type	Input	Output	Part No.
WAS5 WAVEPRO RTD	Pt100 -200°C to +850°C, Ni100 -60°C to +250°C Configurable	0-20mA, 4-20mA, 0-10Vdc, selectable	8560700000
WAZ5 WAVEPRO RTD	Pt100 -200°C to +850°C, Ni100 -60°C to +250°C Configurable	0-20mA, 4-20mA, 0-10Vdc, selectable	8560710000
MAZ PT100 SELECT	Pt100 0°C to +100°C	0-20mA, 4-20mA, 0-10Vdc, 0-5Vdc selectable	8594820000
MAS PT100 SELECT	Pt100 0°C to +100°C	0-20mA, 4-20mA, 0-10Vdc, 0-5Vdc selectable	8594850000

OUTPUT POWERED ISOLATORS

WAVEANALOG 3 WAY SEPERATION

Three way isolation is the most universal form of signal isolation. They provide isolation between all three parts - input/output/power supply. HF versions have response times of up to 30ns are perfect for high speed applications where conversion is needed between 0-10V/4-20mA/0-20mA signals.

CE, CSA, UL, cULus C1D2 Groups A, B, C, D Temp Code T5

Type	Input	Output	Part No.
WAS4 CCC DC I/I SC	4 to 20mA	4 to 20mA	8444980000
WAS4 CVC DC I/V SC	4 to 20mA	0 to 10V	8445040000
WAS5 CVC HF I/V SC	4 to 20mA	0 to 10V	8447280000
WAS5 VCC HF V/I SC	0 to 10V	4 to 20mA	8447340000



THERMOCOUPLE INPUTS

WAVEPRO THERMO

The WavePro Thermo is the only thermocouple module you will need. Hundreds of temperature ranges, 8 thermocouple types, 3 output ranges and 2 response times can be selected via DIP switches. Switching between standard ranges does not require span and zero adjustments. The module is 3 port isolated and provided cold junction compensation and linearization. CE, CSA, UL, cULus C1D2 Groups A, B, C, D Temp Code T6.

Micro Analog units are approved for CE, cURus, cULus C1D2 Groups A, B, C, D Temp Code T4

Type	Input	Output	Part No.
WAS5 PRO Thermo	Type K, J, E, N, R, S, B Configurable	0-20mA, 4-20mA, 0-10Vdc, selectable	8560720000
WAZ5 PRO Thermo	Type K, J, E, N, R, S, B Configurable	0-20mA, 4-20mA, 0-10Vdc, selectable	8560730000
MAS THERMO K SELECT	Type K 0°C to +1000°C	0-20mA, 4-20mA, 0-10Vdc, 0-5Vdc, selectable	8594830000
MAZ THERMO - K SELECT	Type K 0°C to +1000°C	0-20mA, 4-20mA, 0-10Vdc, 0-5Vdc, selectable	8594860000
MAS THERMO - J SELECT	Type J 0°C to +700°C	0-20mA, 4-20mA, 0-10Vdc, 0-5Vdc, selectable	8615210000
MAZ THERMO - J SELECT	Type J 0°C to +700°C	0-20mA, 4-20mA, 0-10Vdc, 0-5Vdc, selectable	8615240000



FREQUENCY INPUTS

WAVEPRO FREQ

The WavePro FREQ is used to isolate and convert frequency signals to simple analogue signals. Inputs and outputs are calibrated via dip switches inside the module and is aided by WaveTool for simple adjustment of the measuring ranges. The input can be up to 100kHz and for standard inputs and outputs with no adjustment of the span/zero potentiometers necessary. 3-way isolation ensures protection and isolation between input/output/power supply, all in a 12mm housing.

CE, CSA, UL, cULus C1D2 Groups A, B, C, D Temp Code T6

Type	Input	Output	Part No.
WAS4 PRO FREQ	0 to 100kHz Configurable	0-20mA, 4-20mA, 0-10Vdc, selectable	8581180000
WAZ4 PRO FREQ	0 to 100kHz Configurable	0-20mA, 4-20mA, 0-10Vdc, selectable	8581190000



CURRENT MONITORING

WAVECONTROL

WaveControl current monitoring modules identify differences or interruptions which occur in electrical circuits, and specific measures can be taken to remedy the problems. Choice of screw or tension clamp connection. Ability to use pluggable cross-connectors. Flashing LED for error indication. Switching of measurement range without calibration. CE, CSA, UL, cULus C1D2 Groups A, B, C, D Temp Code T4

Type	Input	Output	Part No.
WAS1 LP CMA 1/5/10A AC	1/5/10A Selectable	Loop Powered 4 to 20mA	8528650000
WAZ1 LP CMA 1/5/10A AC	1/5/10A Selectable	Loop Powered 4 to 20mA	8528660000



CONNECTPOWER

CP-SNT 24W

This compact switchmode power supply provides 24Vdc @ 1A or 12Vdc @ 1.5A. The input is wide ranging 120/230Vac/dc. The housing requires 50mm of 35mm DIN rail. High efficiency minimizes power dissipation. Certified for groups A, B, C, D; temperature code T4A.

Type	Output	Current	Part No.
CP-SNT 24W-12Vdc	12Vdc	1.5A	9928890012
CP-SNT 24W-24Vdc	24Vdc	1A	9928890024



CONNECTPOWER

CP-SNT 55W

This power supply provides 24Vdc @ 2.3A or 12Vdc @ 3A. The input is wide ranging 120/230Vac/dc. The rugged aluminum housing mounts on 35mm DIN rail or can be direct mounted with optional mounting brackets. Connections are plug-and-socket. Certified for groups A, B, C, D; temperature code T4A.

Type	Output	Current	Part No.
CP-SNT 55W-12Vdc	12Vdc	3A	9927480012
CP-SNT 55W-24Vdc	24Vdc	2.3A	9927480024



CONNECTPOWER

CP-SNT 160W

The CP-SNT 160W delivers 12Vdc @10A or 24Vdc @ 6.5A. The input is selectable via a jumper for 120/230Vac. Connections are plug-and-socket and there is a 1 form C (SPDT) fault relay. Other features include adjustable output voltage (9-15Vdc or 24-28Vdc) and parallel operation for load sharing or redundancy. Mounting is on 35mm DIN rail or direct mounted using optional mounting brackets. Certified for groups A, B, C, D; temperature code T4A.

Type	Output	Current	Part No.
CP-SNT 160W-12Vdc	12Vdc	10A	9925340012
CP-SNT 160W-24Vdc	24Vdc	6.5A	9925340024



CONNECTPOWER

CP-DCDC 50W

This family of DC/DC converters is compact, uses plug-and-socket connectors, and can be mounted on 35mm DIN rail or direct mounted using optional mounting brackets. Certified for groups A, B, C, D; temperature code T4A.

Type	Input	Oupput	Current	Part No.
CP-DCDC 50W 12Vdc IN / 5Vdc	12 Vdc	5Vdc	8A	9919371205
CP-DCDC 50W 12Vdc IN / 12Vdc	12 Vdc	12Vdc	3A	9919271212
CP-DCDC 50W 12Vdc IN / 15Vdc	12 Vdc	15Vdc	3A	9919371215
CP-DCDC 50W 12Vdc IN / 24Vdc	12 Vdc	24Vdc	2A	9919371224
CP-DCDC 50W 24Vdc IN / 5Vdc	24Vdc	5Vdc	8A	9919372405
CP-DCDC 50W 24Vdc IN / 12Vdc	24Vdc	12Vdc	3A	9919372412
CP-DCDC 50W 24Vdc IN / 15Vdc	24Vdc	15Vdc	3A	9919372415
CP-DCDC 50W 24Vdc IN / 24Vdc	24Vdc	24Vdc	2A	9919372424



CONNECTPOWER

CP-SNT 300W

The CP-SNT 300 W power Supply is the complete DC power solution. Universal input power supply 115-230Vac or 100-200Vdc, with active power factor correction. It has 3 analogue outputs (0-10V) to represent output voltage, output current, internal temp. Paralleling or redundancy can be done up to 5 units without any adjustments necessary. The status relay directly tracks the output voltage which is adjustable from 22-28Vdc @ 12.5A. The internal fan means the power supply can be mounted in any orientation on the rail or even panel mounted without any derating. The CP-SNT 300W is certified for groups A,B, C and D. Temperature code T4A.



Type	Output	Current	Part No.
CP-SNT 300W	24Vdc	12.5A	9916250024

CONNECTPOWER

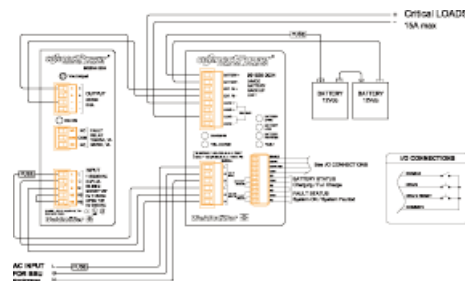
BATTERY BACKED-UP POWER SUPPLY

The connectPower® BBU combines with one of our Class 1 Division 2 power supplies and customer supplied batteries to form a scalable DC UPS system. This enables you to put together a UPS system uniquely tailored to your application. Modules are available for both 12Vdc and 24Vdc.



This full featured unit has all the diagnostics needed for applications where it is critical to know the status of the power system.

- 12 and 24Vdc versions available
- Universal AC input
- 3A charge current on 12Vdc unit
- 2A charge current on 24Vdc unit
- 15A max load current
- Form C relay output for fault and battery status
- Inputs for Drain Cycle Activation, Drain Reset and Enable
- LED's for Battery Open, Battery Low, Battery, Reverse Polarity, AC Fault and Charge State (Charging or Full Charge)



The BBU is CSA certified for Class 1 Division 2 groups A, B, C, D, temperature code T4A. It is also CE approved and cULus listed.

A full range of accessory products is available including a DIN rail or panel mounted battery chassis that accepts one or two industry standard sealed batteries.

Type	Output	Part No.
CP-BBU 12Vdc	12Vdc	991628 0012
CP-BBU 24Vdc	24Vdc	991628 0024

ELECTRONIC CIRCUIT PROTECTION

ESX10-T Series

The ESX10-T Series circuit protectors have remote reset capabilities that operate through the use of an electronic signal. These circuit protection devices are compact and combine electronic trip characteristics and active current limitation to allow selective disconnection of loads that are connected to 24VDC power supplies. Selective load protection prevents complete shutdown of the system by quickly disconnecting the faulty path when an overload or short circuit occurs.

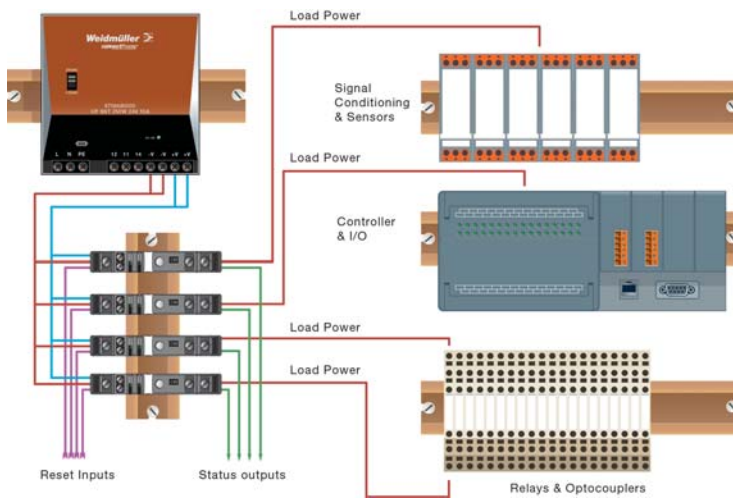


- Remote resettable:
remote operation is possible by means of an electronic remote reset signal or a remote ON/OFF control signal

- UL1604 listed (Class 1 Div2); UL2367 listed:
approved for both general and hazardous locations

The most common application of this product involves the protection of the 24 VDC power supply in a control panel. These circuit protectors are placed in between the 24 VDC power distribution terminals and the load.

	ESX10-TA-100	ESX10-TB-101	ESX10-TB-102	ESX10-TB-114	ESX10-TB-124
Current Rating (amps)	No Signal I/P or O/P	N/O Contact on O/P side	N/C Contact on O/P side	With signal on I/P and O/P side	With remote reset on I/P and signal on O/P
0.5	6720005305	6720005320	6720005340	6720005360	6720005380
1	6720005301	6720005321	6720005341	6720005361	6720005381
2	6720005302	6720005322	6720005342	6720005362	6720005382
3	6720005303	6720005323	6720005343	6720005363	6720005383
4	6720005304	6720005324	6720005344	6720005364	6720005384
6	6720005306	6720005326	6720005346	6720005366	6720005386
8	6720005308	6720005328	6720005348	6720005368	6720005388
10	6720005310	6720005330	6720005350	6720005370	6720005390
12	6720005312	6720005332	6720005352	6720005372	6720005392



SURGE PROTECTION

SD SERIES DATA AND SIGNAL PROTECTION

The SD Series are ultra-slim user-friendly devices for protecting electronic equipment and systems against surges on signal and I/O cabling, and the SLP Series provides 20kA power surge protection for process control, equipment systems and distribution panels.

Product Features:

- Range of ATEX Certified intrinsically safe surge protectors
- Ultra-slim and space saving designs; easy installation
- Multistage hybrid protection circuitry - 10kA maximum surge current for SD Series
- Range of voltage ratings ideal for process/I/O applications
- Designed for high bandwidth, low resistance applications; RTD, PSTN and 3-wire transmitter versions available in SD Series
- Surge protection for two loops or one 4-wire circuit
- 10 year product warranty



Approvals:

Country (Authority)	Standard	Certificate/File No.	Approved for	Product
Canada, USA (CSA/C/US)	CSA C22.2 No. 0-M1991	LR 103652-3	EEx ia Class 1,	SD07,SD16,SD32,SD55,
	CSA C22.2 No. 157-M1992	Groups A, B	SD07X,SD16X,SD32X,	
	UL 913, 5th edition		C and D, T4	SD55X,SD07R,SD16R,
	CSA C22.2 No. 142-M1987		Class 1, Div 2	SD32R,SD55R,SDRDT,
	CSA C22.2 No. 213-M1987		Groups A,B,C, D T4	SD32T3,SD07R3,SD16R3,
	UL 508, 17th edition			SD32R3,SD55R3
	UL 1604, 3rd edition			
USA (UL)	UL 497B Listed	E220693	Isolated loop communication circuits	SD07,SD16,SD32,SD55 SD07X,SD16X,SD32X SD55X,SD07R,SD16R SD32R,SD55R,SD07R3 SD16R3,SD32R3,SD55R3 SD32T3,SD55T3, SD07X3,SD16X3,SD32X3, SD55X3,SDRDT
USA, Canada Recognized Component	UL 1449	E217523	AC power protection	SD150X,SD275X (UL)

Ordering information

With Fuse Disconnect - eg. For Digital Inputs & Outputs

Input Voltage Range		Nominal Current	Rated Max. Voltage	Series Resistance	Max. Leakage current	Part #
AC	DC	mA	Vac	Ohms	mA	
5	7	250	7.7	4.2	500	SD07
11	16	250	17	4.2	5	SD16
22	32	250	36	4.2	5	SD32
38	55	250	62	4.2	5	SD55

SURGE PROTECTION

SD SERIES SURGE PROTECTION



Ordering information

High Bandwidth - For high speed sensors & transmitters

Input Voltage Range		Nominal Current	Rated Max. Voltage	Series Resistance	Max. Leakage current	Part #
AC	DC	mA	Vac	Ohms	mA	
5	7	400	7.7	2.7	500	SD07R
11	16	400	17	4.7	5	SD16R
22	32	400	36	10	5	SD32R
38	55	400	62	10	5	SD55R

Low Input Resistance - For 2 or 4 wire Analogue transmitters & sensors

Input Voltage Range		Nominal Current	Rated Max. Voltage	Series Resistance	Max. Leakage current	Part #
AC	DC	mA	Vac	Ohms	mA	
5	7	400	7.7	2.2	500	SD07X
11	16	400	17	2.2	5	SD16X
22	32	400	36	2.2	5	SD32X
38	55	400	62	2.2	5	SD55X

3 Terminal - For 3 Wire Analogue Transmitters & Sensors

Input Voltage Range		Nominal Current	Rated Max. Voltage	Series Resistance	Max. Leakage current	Part #
AC	DC	mA	Vac	Ohms	mA	
22	32	400	36	2.2	5	SD32T3
5	7	400	7.7	2.7	500	SD07R3
11	16	400	17	4.7	5	SD16R3
22	32	400	36	10	5	SD32R3
38	55	400	62	10	5	SD55R3

Special Applications

	Input Voltage Range		Nominal Current	Rated Max. Voltage	Series Resistance	Max. Leakage current	Part #
	AC	DC	mA	Vac	Ohms	mA	
RTD	0,75	1	10	5	2.7	0.3	SDRTD
PSTN*	114	162	550	175	4.7	5	SDPSTN
120Vac	120	170	3000	130	0.1	170	SD150X
240Vac	240	330	3000	275	0.1	350	SD275X

*Public Switched Telephone Network

SLP SERIES SURGE PROTECTION

80kA power surge protection for small distribution panels, tower lights, equipment cabinets and confined spaces. Product features:

- Surge protection for two loops per SLP (or one 4-wire circuit)
- Range of ATEX Certified intrinsically safe surge protectors
- Space-saving design; easy installation
- Multi-stage hybrid protection circuitry - 20kA maximum surge current
- Range of voltage ratings to suit all process I/O applications
- Designed for high bandwidth, low resistance applications



Approvals:

Country (Authority)	Standard	Certificate/File No.	Approved for	Product
ATEX	BS EN 60950:1992 BS EN 61000-6-2:1999 BS EN 61010-1:1993	ATEX0377X	EEx N IIC T4	SLP07D, SLP16D, SLP32D
USA (FM)	Class Nos. 3600 (1998), 3610 (1999), 3611 (1999), 3615 (1989), 3810 incl. Supp 1 (1995-07 (1989-03), ANSI/NEMA 250 (1991), ISA-S12.0.01 (1999)	3011208	Intrinsically Safe: I/1/A-D, I/O/II C Non incandive: I/2/A-D, I/2/II C	SLP07D, SLP16D, SLP32D
Canada (FM)	C22.2 No. 213, 142, 94, 157, 30 ANSI/NEMA 250 CAN/CSA-E79-0 CAN/CSA-E79-11	3025374	IS/I/1/ABCD I/O/Ex ia/IIC I/O/Ex ib/IIC NE/I/2/ABCD NE/I/2/IIC	SLP07D, SLP16D, SLP32D

Ordering information

Nominal Voltage AC	Nominal Current Amps	Rated Max. Voltage Vac	Series Resistance Ohms	Part #
7	1.5	8	1	SLP07D
16	1.5	18	1	SLP16D
24	1.5	32	10	SLP32D

MA15 SERIES AC & DC POWER PROTECTION

The MA15 Series of surge protection devices protects electronic equipment and computer networks against the effects of noise pollution induced in power supplies. MA15 units filter out and suppress the effects of industrial noise and surges caused by lightning, switching devices, thyristor controls, transmission system overloads and power-factor correction circuits.

- 18kA surge protection and RFI filtering
- Protects panel loads up to 15 Amps in series, unlimited Amps in parallel
- Suitable for AC or DC application
- Thermal and short circuit protection
- LED status indication feature
- 10 year product warranty



Approvals:

Country (Authority)	Standard	Approved for	Product
United States	UL 1449	AC Power Product	MA15/D/1/SI,
Canada	Recognized Component	MA15/D/2/SI	
United States	UL 1449	Hazardous Locations	MA15/D/1/SI,
Canada	Recognized Component UL1604	Class I, Division 2 Groups A, B, C and D	MA15/D/2/SI

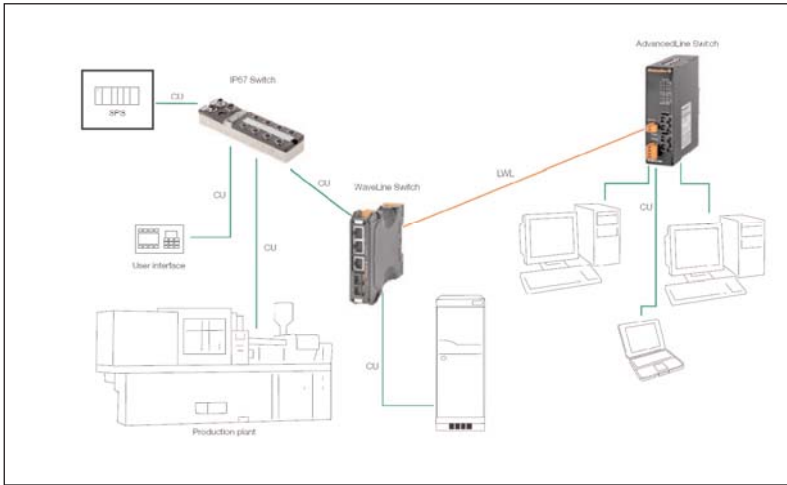
Ordering information

Nominal Voltage AC	Nominal Voltage DC	Nominal Current Amps	Part #
120	140	15	MA15/D/1/SI
240	280	15	MA15/D/2/SI

UNMANAGED INDUSTRIAL ETHERNET SWITCHES

- Compact housing
- Autonegotiation
- Autocrossing (RJ45)
- Redundant power supply (AdvancedLine)
- cULus, CE, EN 55024, EN 55022
- Fault relay (AdvancedLine)
- DIN-rail mountable
- 3 to 8 Ports (WaveLine)
- 8 to 24 Ports
- 8 Ports (IP67)

All units are CE, cULus, cULus C1D2 Groups A, B, C, D



Unmanaged

Type	Ports					Part No.
	RJ45	ST-MM	SC-MM	SC-SM	LC	
IE-SW3/1ST-WAVE	3	1				8896930000
IE-SW3/1SC-WAVE	3		1			8896920000
IE-SW3-WAVE	3					8897710000
IE-SW3/1LC-WAVE	3				1	8944350000
IE-SW4/ST	4	2				8808260000
IE-SW4/SC	4		2			8808250000
IE-SW5-WAVE	5					8896940000
IE-SW5-ECO	5					8808230000
IE-SW5-ECO-FLAT	5					8833790000
IE-SW6/1ST-WAVE	6	1				8896960000
IE-SW6/2ST-ADVANCED	6	2				8942460000
IE-SW6/1SC-WAVE	6		1			8896950000
IE-SW6/2SC-ADVANCED	6		2			8942450000
IE-SW6/1LC-WAVE	6				1	8944360000
IE-SW6/2SCS-ADVANCED	6			2		8942470000
IE-SW8-WAVE	8					8896970000
IE-SW8-ECO	8					8829430000
IE-SW8-ADVANCED	8					8942440000
IE-SW8-IP67	8					8877190000
IE-SW14/ST-ADVANCED	14	2				8808290000
IE-SW14/2SC-ADVANCED	14		2			8808280000
IE-SW14/2SCS-ADVANCED	14			2		8851880000
IE-SW16-ADVANCED	16					8808270000
IE-SW22/2ST-ADVANCED	22	2				8808320000
IE-SW22/2SC-ADVANCED	22		2			8808310000
IE-SW22/2SCS-ADVANCED	22			2		8851890000
IE-SW24-ADVANCED	24					8808300000



WaveLine



EcoLine



AdvancedLine

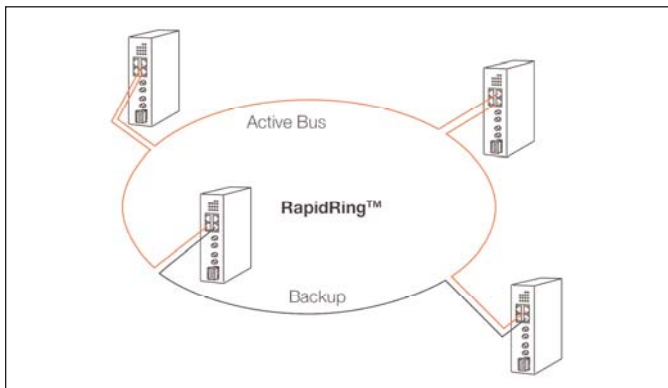


IP67

MANAGED INDUSTRIAL ETHERNET SWITCHES

- 10BaseT, 100BaseTX
- RJ45 ports / segment length 100 m
- Redundant voltage supply
- Half-duplex (back-pressure) / full-duplex pause
- Autonegotiation
- Flow control
- Autocrossing
- Broadcast storm control
- Configuration via web interface
- Trunking for high-speed backbone
- Quality of service (QoS) 802.1p
- Port virtual LAN support 802.1q
- SNMP management
- Port mirroring
- IGMP snooping
- RapidRing™
- Rapid spanning tree IEEE 802.1w
- DHCP client
- Diffserv
- VLAN

All units are CE, cULus, cULus C1D2 Groups A, B, C, D



AdvancedLine



IP67

Managed

Type	Ports					Part No.
	RJ45	ST-MM	SC-MM	SC-SM	LC	
IE-SW6/2SC-M	6		2			8845840000
IE-SW6/2ST-M	6	2				8845850000
IE-SW6/2SCS-M	6			2		8851850000
IE-SW8-M	8					8845740000
IE-SW8-M-IP67	8					8877200000
IE-SW14/2SC-M	14		2			8845780000
IE-SW12/2ST-M	14	2				8845790000
IE-SW14/2SCS-M	14			2		8851860000
IE-SW16-M	16					8845800000
IE-SW22/SC-M	22		2			8845810000
IE-SW22/ST-M	22	2				8845820000
IE-SW22/SCS-M	22			2		8851870000
IE-SW24-M	24					8845830000

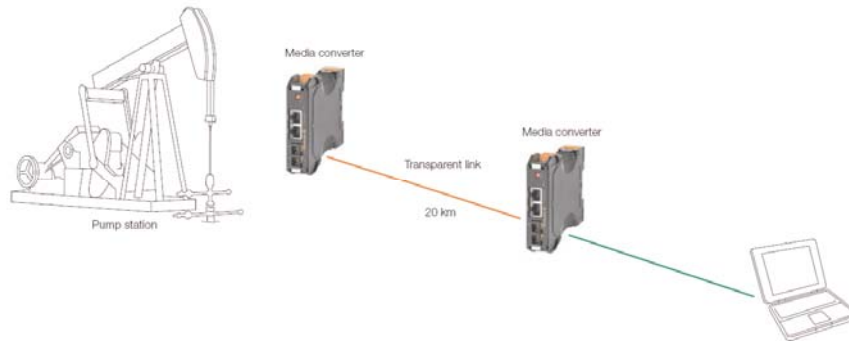
ROUTERS / MODEMS

- Parameter setting and remote maintenance via web browser
- PPPoE (DSL)
- SSH access to command line
- VPN (IPsec, VTUN)
- Dial-on-demand
- Call back
- DNS/DynDNS
- Masquerading, routing without masquerading
- Virtual mapping (NAT)
- Trusted nets
- Port filter
- Configuration transfer router to router
- OSPF (OpenShortestPathFirst)*
- Redundant power supply
- DHCP Server/Client*
- Port forwarding*
- Special rules*
- Security Datasheet (SDS) integrated*
- Simple Network Management Protocol (SNMP)*
- RS-232 connection for console or external modem (analogue, ISDN, GSM)



All units are CE, cULus, cULus C1D2 Groups A, B, C, D

Type	Description	Part No.
IE-AR-10T	Internal 56K modem	8845860000
IE-AR-10T-ISDN	Internal ISDN modem	8845750000



INDUSTRIAL ETHERNET MEDIA CONVERTERS

The media converters of the Weidmuller IE-MC can be switched between half duplex and full duplex by means of small switch. This means they can be used in demanding real-time applications. Transparency in RapidRing™ is therefore no problem. In the multimode variation, interference-free transmission over distances of up to 2km is possible, and up to 20km with the singlemode variation.

- Transparent in network
- Multimode or singlemode

All units are CE, cULus, cULus C1D2 Groups A, B, C, D



Type	Ports					Part No.
	RJ45	ST-MM	SC-MM	SC-SM	LC	
IE-SW6/2SC-M	6		2			8845840000
IE-SW6/2ST-M	6	2				8845850000
IE-SW6/2SCS-M	6			2		8851850000
IE-SW8-M	8					8845740000
IE-SW14/2SC-M	14		2			8845780000
IE-SW12/2ST-M	14	2				8845790000
IE-SW14/2SCS-M	14			2		8851860000
IE-SW16-M	16					8845800000
IE-SW22/SC-M	22		2			8845810000
IE-SW22/ST-M	22	2				8845820000
IE-SW22/SCS-M	22			2		8851870000
IE-SW24-M	24					8845830000

WIRELESS PRODUCTS

Weidmuller industrial wireless products provide secure and reliable solutions for a wide range of industries and applications, as an alternative for signal and data wiring. Features include:

- Full lifetime warranty
- Wide operating temperature range (-40°C to +60°C)
- Custom licensed frequencies available on request

All units approved for CE, cCSAus C1D2 Groups A, B, C, D. Temp Code T6



WIRELESS I/O RADIOS

Wireless I/O, also known as radio telemetry, connect directly to sensor and control signals, and transmit the signal values by radio. The signals are either re-created as similar signals, or output as a data connection — Ethernet, Profibus, Modbus etc.

Wireless I/O networks can be as simple as two units transferring a small number of signals from one point to another, or they can be complex data-acquisition networks with multiple “master” interfaces to external systems.



Type	Frequency	Tx/Rx	I/O Count	Part No.
WI-I/O 9-1	900Mhz	Tx/Rx	4DI + 4DO + 2AI + 2AO + 1PI + 1PO	6720005000
WI-I/O 9-2	900Mhz	Tx/Rx	4DI + 1DO + 6AI + 4PI	6720005001
WI-I/O 9-3	900Mhz	Tx/Rx	8DO+ 8AO + 4PI	6720005002
WI-I/O 9-4	900Mhz	Tx/Rx	4-16DI/DO (selectable) + 4PI + 4PO	6720005003
WI-I/O-9-K	900Mhz	Tx only	2DI/PI + 1 AI	6720005004
WI-I/O 9-L-T	900Mhz	Tx only	2DI/PI+1AI+1 Thermocouple J/K/T	6720005005
WI-I/O 9-L-R	900Mhz	Rx only	3DO + 1AO	6720005006

WIRELESS SERIAL AND ETHERNET MODEMS

Wireless Modems transmit serial or Ethernet data, providing a wireless extension of the data link. Example applications are PLC to PLC connections (point-to-point), connecting SCADA to a group of PLCs (point-to-multipoint), or forming a wireless PLC LAN (multidrop). Wireless modems transmit the data with minimal transformation.



Type	Frequency	Protocol	Part No.
WI-MOD-9-D	900Mhz	Serial RS232/RS485	6720005050
WI-MOD-9-E	900Mhz	Ethernet	6720005051
WI-MOD-E-100	2.4Ghz	Ethernet (100mW power)	6720005052
WI-MOD-E-300	2.4Ghz	Ethernet (300mW power)	6720005053

WIRELESS GATEWAYS

Wireless Gateways provide wireless connectivity between data buses - connectivity between devices using the same data bus, or between different data buses (Ethernet to Profibus to DeviceNet to Modbus etc). Wireless gateways are similar in operation to wireless modems, however gateways only provide a register interface to the data bus, transferring I/O registers only. With up to 4300 registers, seamlessly connect field I/O to a bus system.



Type	Frequency	Tx/Rx	Protocol	Part No.
WI-GTWY-9-MDI	900Mhz	Tx/Rx	Modbus (Master & Slave), DF1	6720005020
WI-GTWY-9-PR1	900Mhz	Tx/Rx	Profibus DP Slave	6720005021
WI-GTWY-9-PR2	900Mhz	Tx/Rx	Profibus DP Master	6720005022
WI-GTWY-9-ET1	900Mhz	Tx/Rx	EtherNet IP, Modbus TCP, TCP/IP	6720005023
WI-GTWY-9-DE1	900Mhz	Tx/Rx	DeviceNet Slave	6720005024
WI-GTWY-9-M+1	900Mhz	Tx/Rx	Modbus Plus Slave	6720005025

WIRELESS I/O EXPANSION MODULES

- Add additional I/O contacts for expansion
- Connect up to 31 serial expansion modules
- Use as stand alone Modbus RTU multiplexers without radios, on a RS485 Modbus RTU system
- All units are approved for CE, cCSAus C1D2 Groups A, B, C, D. Temp Code T6



Type	Frequency	I/O Count	Part No.
WI-I/O-EX-1-S-11	900Mhz/2.4Ghz	16DI/16DO + 1PI + 8PO	6720005038
WI-I/O-EX-1-S-12	900Mhz/2.4Ghz	8DI/8DO + 4AI + 8PO	6720005039
WI-I/O-EX-1-S-13	900Mhz/2.4Ghz	8DI/8DO + 8AO + 8PO	6720005040

**Catalog 1:
Modular Terminal Blocks**

- P-Series (Push-in technology)
- I-Series (IDC technology)
- Z-Series (Tension clamp technology)
- W-Series (Screw clamp technology)
- Stud Style (Screw clamp technology)
- Power Distribution Blocks and Fuse Blocks



**Catalog 8:
Sensor Actuator Interface**

- SAI Passive Blocks
- SAI Universal
- SAI ASI
- Cables and Connectors
- JACKPAC® IP67



**Catalog 2:
PCB Terminals and Connectors**

- Space Saving Technologies
- Wide Variety of Clamping Technologies
- Pitches Ranging from 3.50 mm to 15.00 mm
- Orientations Ranging from 90° to 270°



**Catalog 9:
Industrial Ethernet**

- Unmanaged Switches
- Managed Switches
- Routers
- Media Converters
- SteadyTEC®
- IE Connectors
- Accessories



**Catalog 3:
RockStar® – Heavy Duty Connectors**

- Inserts
- Modular System
- Housings IP65 and IP69K
- Cable Glands



**Catalog 10:
Connectivity Solutions Catalog**

- Short Form Catalog
- Product Overview



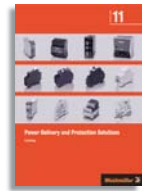
**Catalog 4:
Electronics**

- Interface Units
- Digital Signaling
- Analog Signaling
- Power Supplies
- Surge Protection
- Relays
- Optocouplers



**Catalog 11:
Power Delivery and Protection Solutions**

- Power Supplies
- DC/DC Converters
- Battery Back-up Units
- Diodes and Overvoltage Protection



**Catalog 5:
Enclosures and Cable Glands**

- Enclosures
- Cable Glands
- Cabtite (Cable Entry System)



**Catalog 12:
Wireless Connectivity Solutions**

- Wireless Ethernet
- Wireless Gateways
- Wireless Transceivers
- Antennas and Accessories



**Catalog 6:
Tools**

- Cutting
- Stripping
- Crimping
- Screwdrivers
- Automatic Machines
- Ferrules



Circuit Protection Solutions

- Branch Circuit Breakers
- Supplemental Circuit Breakers
- GFCI Circuit Breakers
- Accessories



**Catalog 7:
Marking Systems**

- Terminal Markers
- Wire and Cable Markers
- Device and Equipment Markers
- Printing Systems and Software



CD ROM

- Pdf files of All Master Catalogs, Brochures, Datasheets



Argentina	Iran	Singapore
Australia	Ireland	Slovakia
Austria	Israel	Slovenia
Azerbaijan	Italy	South Africa
Bahrain	Japan	South Korea
Belarus	Jordan	Spain
Belgium	Kazakhstan	Sweden
Bosnia- Herzegovina	Kuwait	Switzerland
Brazil	Latvia	Syria
Bulgaria	Lebanon	Taiwan
Canada	Lithuania	Thailand
Chile	Luxembourg	Turkey
China	Macedonia	UAE
Colombia	Malaysia	Ukraine
Costa Rica	Malta	United Kingdom
Croatia	Mexico	Uruguay
Czech Republic	Montenegro	USA
Denmark	Netherlands	Venezuela
Ecuador	New Zealand	Vietnam
Egypt	Norway	Yemen
Estonia	Oman	
Finland	Paraguay	
France	Peru	
Germany	Philippines	
Greece	Poland	
Hong Kong	Portugal	
Hungary	Qatar	
Iceland	Romania	
India	Russia	
Indonesia	Saudi Arabia	
	Serbia	

Weidmuller is the leading manufacturer of components for electrical connection technology to transmit energy, signals and data. The Weidmuller product portfolio ranges from terminal blocks, PCB connectors and terminals, protected components, Industrial Ethernet components, I/O components and relay sockets to power supplies and overvoltage protection modules suitable for all applications. Assemble Services, marking solutions with a variety of tools and software systems, round off the range. As an OEM supplier, the company sets global standards in the field of electrical connection technology.

Weidmuller, Canada
10 Spy Court
Markham, Ontario L3R 5H6
Telephone: (800) 268-4080
Facsimile: (905) 475-2798
Email: info1@weidmuller.ca
Website: www.weidmuller.ca

Weidmuller, Mexico
Blvd. Hernamos Serdán 698,
Col. San Rafael Oriente Peubla,
Puebla, C.P. 72029, Mexico
Telephone: 01 222 2686227
Facsimile: 01 222 2686219
Email: clientes@weidmuller.com.mx
Website: www.weidmuller.com.mx

Weidmuller, United States
821 Southlake Blvd.
Richmond, Virginia 23236
Telephone: (800) 849-9343
Facsimile: (804) 379-2593
Email: info@weidmuller.com
Website: www.weidmuller.com