



Component Housings IP20 Modular CH20M

Product Information

OMNIMATE HOUSINGS CH20M

The modular electronics housing system

CH20M (Component Housing IP20 Modular) – the new housing standard from Weidmüller – perfectly fits to custom electronics applications.

Like buying a tailor-made suit right off the rack, the CH20M electronics housing offers a wide array of custom features in a standard solution, resulting in truly outstanding design flexibility.

This innovative housing system incorporates excellent functionality, reliability, and safety in a user friendly package. The CH20M was designed to maximize the amount of printed circuit board space and offers multiple levels of input/output density. This high level of flexibility makes the CH20M suitable for a variety of applications. In addition, the CH20M was designed for fast, easy processing through all stages of assembly, resulting in a lower total cost solution. Introduced in four sizes, ranging from 6 mm to 45 mm wide, the CH20M will in future be available in widths up to 67 mm.

CH20M stands for efficiency, ranging from development to production and consistently satisfies all requirements placed on a future-proof platform for modern electronics.



Error Proof Operation

Color coded release levers, multiple labeling options, and the unique 'Autoset' keying eliminate the possibility of mis-mating plug connections.



Safety Built In

Enhanced safety is a standard feature with touch proof connections on both plug and receptacle sides, dual level contacts, and integrated 'Autoset' coding.



Security Standard

The transparent front cover can be locked, creating a tamper-proof housing package.

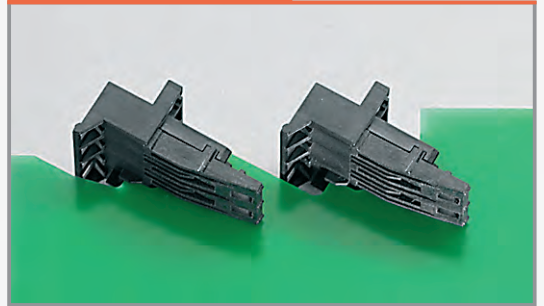




Pain free release

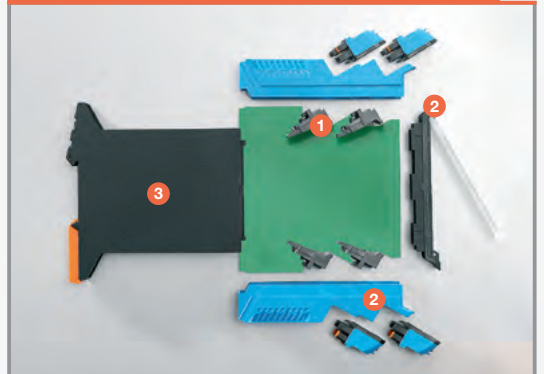
Integrated color coded release levers make ejection fast and easy, even in tight spaces.

Reflow Compatible



Made from high temperature thermoplastic, the board mounted pin headers are suitable for all types of soldering processes, making them ideal for cost saving automatic assembly.

Designed to provide lowest total cost



- 1 Pin headers are designed for all common soldering processes.
- 2 Side elements are put into place and then joined by the front portion of the module.
- 3 Assembly is completed by simply snapping the base into position, resulting in a secure and tamper proof unit.



Visually unique

The CH20M can be customized to meet almost any requirement with:

- Laser marking on the housing
- Multiple panel color options
- Printing on the front cover



Front Cover

The front cover is transparent, to allow easy monitoring of indicator LED's, gauges, etc. without removal and can be locked, to prevent tampering, or removed altogether.

OMNIMATE HOUSINGS CH20M

A multitude of options offer greater customization in form, function, and style

CH20M (Component Housing IP20 Modular) – Weidmüller's newest housing platform sets the standard for versatility and represents an ideal platform for a wide variety of electronic applications.

Like buying a tailor-made suit right off the rack, the CH20M electronics housing offers a wide array of custom features in a standard solution, resulting in truly outstanding design flexibility.

This innovative housing system was designed to incorporate a high level of functionality and safety in a user friendly package.

The results are improved installation time, user-friendly operation, and a high level of operation reliability. The CH20M is the most efficient solution from design to prototyping and full production.



Design option: Connectivity

Custom I/O configurations and four different widths of housings provide ultimate scalability in connectivity. With up to 72 wire connections, the CH20M offers best in class termination density.



Design-option: Basic colors

Multiple color options provide a custom appearance and enhance safety by clearly identifying connection schemes

Design-option: Marking

Symbols, graphics, and text are easily printed by laser or other means on each surface of the housing.



Design-option: Functional colors

More operational confidence with functionally appropriate color coding: three functional colours (red, yellow and blue coding) can be assigned to key industrial applications.



Visual Design



The synergy of modularity and variety enables you to customize a wide range of designs to fit your application, even with the available standard modules.

Functional Design



The comprehensive, standardized configuration set can be further supplemented with modification and design customer-specific development to exactly meet your individual requirements.

Design-option: Modification

Modification options complement the configuration set: for example by integrating the pluggable 30-pole digital I/O connection device BL-I/O LED into the FRONT-module or a RJ45 socket into the SIDE-module.



Modular component housing,
width of 12.5 mm

CH20M12



Technical data

System parameters

Height/Width/Length	113.6 mm/12 mm/119.2 mm
Type of connection	pluggable
Number of PCBs per module	1
PCB thickness	1.6 mm
Type of contact to PCB	Solder connection, direct
Tolerance for the PCB shape	±0.1 mm
Contact to terminal rail	No
Protection class	IP 20
Encapsulation option	No

Connectable conductors

Clamping range, min./max.	0.13 mm ² /3.31 mm ²
Conductor connection cross-section AWG, min./max.	AWG 26/AWG 12
solid, H05(07) V-U, min./max.	0.2 mm ² /2.5 mm ²
flexible, H05(07) V-K, min.	0.2 mm ²
with wire end ferrule, DIN 46228 pt 1, min./max.	0.25 mm ² /2.5 mm ²
with plastic collar ferrule, DIN 46228 pt 4, min./max.	0.25 mm ² /2.5 mm ²

Material data

Flammability class UL 94	V-0
Insulating material	PA 66 GF 30
Colour	black
Highest continuous operating temperature, min./max.	-20 °C/85 °C
Storage temperature, min./max.	-45 °C/85 °C

Rating data to DIN IEC

Rated current, max. No. of poles (T _u =20°C)	10 A
Rated current, no. of poles (T _u =40°C), max.	9 A
Rated voltage for overvoltage class/ pollution severity II/2	400 V
Rated voltage for overvoltage class/ pollution severity III/2	320 V
Rated voltage at overvoltage category/ pollution degree III/3	250 V
Rated impulse withstand voltage for overvoltage class/ pollution severity II/2	4 kV
Rated impulse withstand voltage for overvoltage class/ pollution severity III/2	4 kV
Rated impulse withstand voltage for overvoltage class/ pollution severity III/3	4 kV

Approvals

Approvals institutes

Klassifikationen

eClass 6.0

Note

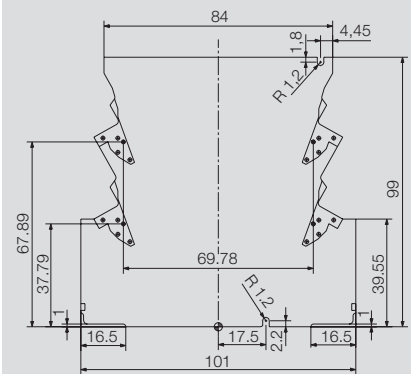
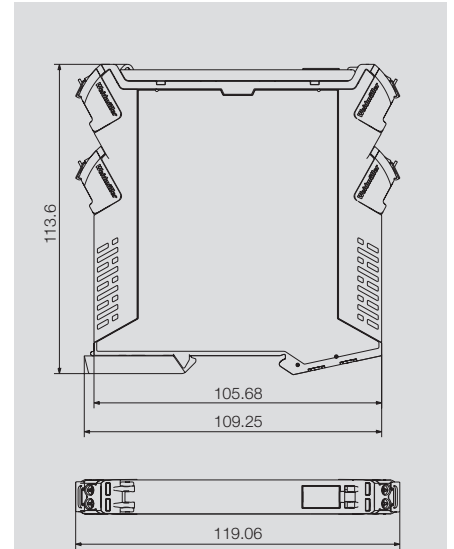
27-18-05-05

Ordering data

Reference product CH20M12 housing, completely mounted, including 4 pluggable socket connectors.	Type	Qty.	Order No.
	SAMPLE CH20M12 PPX	1	1111630000

Similar products

Base element, black, clip-on foot black, 12.5 mm	CH20M12 B BK/BK	1104170000
Base element, black, clip-on foot orange, 12.5 mm	CH20M12 B BK/OR	1104180000
Hinged cover, transparent, 12.5 mm	CH20M12 C TP	1104250000
Hinged cover, transparent black, 12.5 mm	CH20M12 C BK	1104240000
Front element, black, 12.5 mm	CH20M12 F BK	1104190000
Side element, 2 connection levels, black, 12.5 mm, No. of connections: 8	CH20M12 S PPSC BK	1104200000
Side element, 2 connection levels, blue, 12.5 mm, No. of connections: 8	CH20M12 S PPSC BL	1104220000
Side element, 1 connection level, black, 12.5 mm, No. of connections: 4	CH20M12 S PSCSC BK	1104210000
Side element, 1 connection level, blue, 12.5 mm, No. of connections: 4	CH20M12 S PSCSC BL	1104230000



**Modular component housing,
width of 22.5 mm**

CH20M22



Technical data

System parameters

Height/Width/Length
Type of connection
Number of PCBs per module
PCB thickness
Type of contact to PCB
Tolerance for the PCB shape
Contact to terminal rail
Protection class
Encapsulation option

113.6 mm/22.5 mm/119.2 mm
pluggable
1
1.6 mm
Solder connection, direct
±0.1 mm
No
IP 20
No

Connectable conductors

Clamping range, min./max.
Conductor connection cross-section AWG, min./max.
solid, H05(07) V-U, min./max.
flexible, H05(07) V-K, min.

0.13 mm²/3.31 mm²
AWG 26/AWG 12
0.2 mm²/2.5 mm²
0.2 mm²

Material data

Flammability class UL 94
Insulating material
Colour
Highest continuous operating temperature, min./max.
Storage temperature, min./max.

V-0
PA 66 GF 30
black
-20 °C/85 °C
-45 °C/85 °C

Rating data to DIN IEC

Rated current, max. No. of poles (T_u=20°C)
Rated current, no. of poles (T_u=40°C), max.
Rated voltage for overvoltage class/
pollution severity II/2
Rated voltage for overvoltage class/
pollution severity III/2
Rated voltage at overvoltage category/
pollution degree III/3
Rated impulse withstand voltage for overvoltage class/
pollution severity II/2
Rated impulse withstand voltage for overvoltage class/
pollution severity III/2
Rated impulse withstand voltage for overvoltage class/
pollution severity III/3

10 A
9 A
400 V
320 V
250 V
4 kV
4 kV
4 kV

Approvals

Approvals institutes

Klassifikationen

eClass 6.0

Note

27-18-05-05

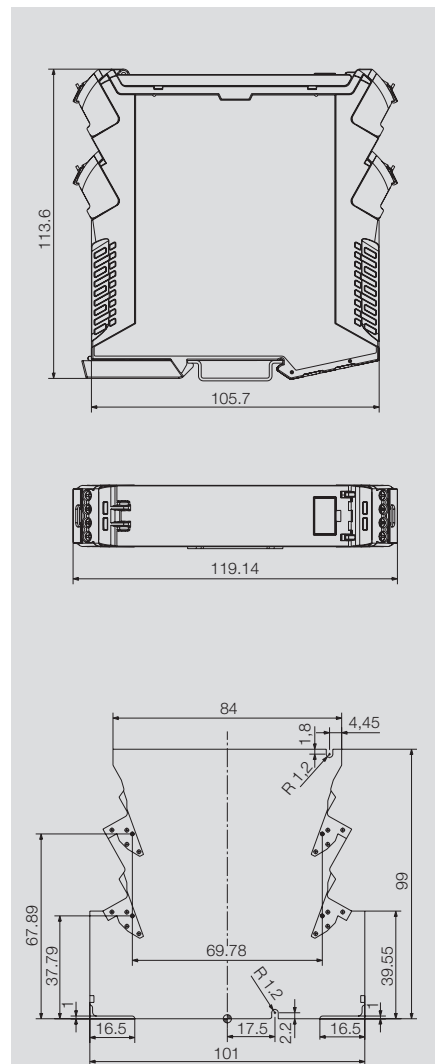
Ordering data

Reference product CH20M22 housing, completely mounted,
including 4 pluggable socket connectors.

Similar products

Base element, black, clip-on foot black, 22.5 mm
Base element, black, clip-on foot orange, 22.5 mm
Hinged cover, transparent, 22.5 mm
Hinged cover, transparent black, 22.5 mm
Front element, black, 22.5 mm
Side element, 2 connection levels, blue, 22.5 mm, No. of connections: 8
Side element, 2 connection levels, black, 22.5 mm, No. of connections: 8
Side element, 1 connection level, black, 22.5 mm, No. of connections: 4
Side element, 1 connection level, blue, 22.5 mm, No. of connections: 4

Type	Qty.	Order No.
REFERENCE PRODUCT CH20M22	1	1105600000
CH20M22 B BK/BK		2418630000
CH20M22 B BK/OR		1104450000
CH20M22 C TP		1073420000
CH20M22 C BK		2418670000
CH20M22 F BK		2418640000
CH20M22 S PPSC BL		2418660000
CH20M22 S PPSC BK		2418650000
CH20M22 S PSCSC BK		1080630000
CH20M22 S PSCSC BL		1070620000



Modular component housing,
width of 45 mm

CH20M45



Technical data

System parameters

Height/Width/Length
Type of connection
Number of PCBs per module
PCB thickness
Type of contact to PCB
Tolerance for the PCB shape
Contact to terminal rail
Protection class
Encapsulation option

113.6 mm/45 mm/119.2 mm
pluggable
2
1.6 mm
Solder connection, direct
±0.1 mm
No
IP 20
No

Connectable conductors

Clamping range, min./max.
Conductor connection cross-section AWG, min./max.
solid, H05(07) V-U, min./max.
flexible, H05(07) V-K, min.
with wire end ferrule, DIN 46228 pt 1, min./max.
with plastic collar ferrule, DIN 46228 pt 4, min./max.

0.13 mm²/3.31 mm²
AWG 26/AWG 12
0.2 mm²/2.5 mm²
0.2 mm²
0.25 mm²/2.5 mm²
0.25 mm²/2.5 mm²

Material data

Flammability class UL 94
Insulating material
Colour
Highest continuous operating temperature, min./max.
Storage temperature, min./max.

V-0
PA 66 GF 30
black
-20 °C/85 °C
-45 °C/85 °C

Rating data to DIN IEC

Rated current, max. No. of poles (Tu=20°C)
Rated current, no. of poles (Tu=40°C), max.
Rated voltage for overvoltage class/
pollution severity II/2
Rated voltage for overvoltage class/
pollution severity III/2
Rated voltage at overvoltage category/
pollution degree III/3
Rated impulse withstand voltage for overvoltage class/
pollution severity II/2
Rated impulse withstand voltage for overvoltage class/
pollution severity III/2
Rated impulse withstand voltage for overvoltage class/
pollution severity III/3

10 A
9 A
400 V
320 V
250 V
4 kV
4 kV
4 kV

Approvals

Approvals institutes

Klassifikationen

eClass 6.0

Note

27-18-05-05

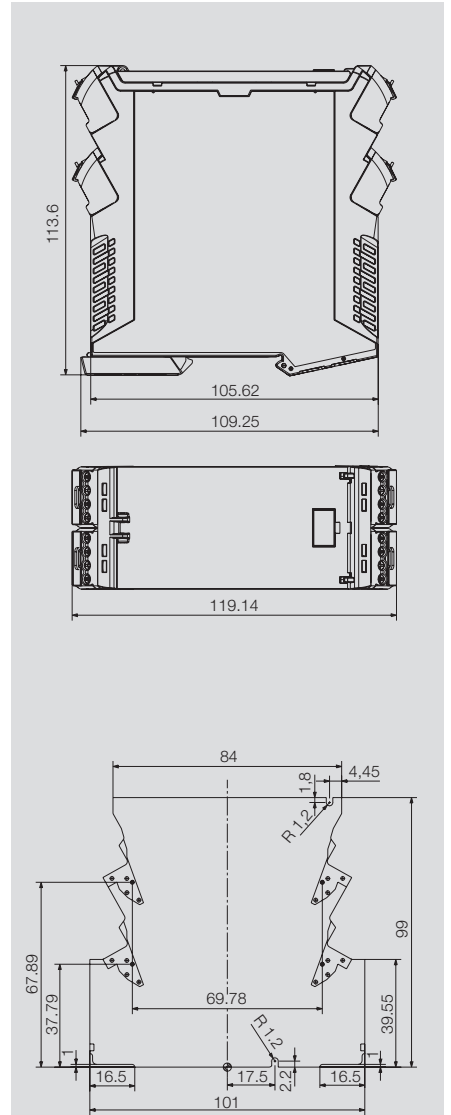
Ordering data

Reference product, CH20M45 housing, completely mounted,
including 4 pluggable socket connectors.

Similar products

Base element, black, clip-on foot black, 45 mm
Base element, black, clip-on foot orange, 45 mm
Hinged cover, transparent black, 45 mm
Hinged cover, transparent, 45 mm
Front element, black, 45 mm
Side element, 2 connection levels, black, 45 mm, No. of connections: 24

Type	Qty.	Order No.
SAMPLE CH20M45 PPX	1	1111640000
CH20M45 B BK/BK		1104400000
CH20M45 B BK/OR		1104410000
CH20M45 C BK		1104430000
CH20M45 C TP		1104440000
CH20M45 F BK		1104420000
CH20M45 S 2PSC/2PSC BK		1111720000



Addresses worldwide

- AE United Arab Emirates**
Weidmüller Middle East FZE
P.O. Box 8591
SAIF-Zone
Sharjah – U. A. E.
Phone +971 6 5672723
Fax +971 6 5672724
wme.info@weidmueller.com
- AR Argentina**
CPI SA
Bauness 2660
1431 Buenos Aires
Phone +54 11 45238008
Fax +54 11 45220546
info@cpi.com.ar
www.cpi.com.ar
- AT Austria**
Weidmüller GmbH.
Industriezentrum Nö Süd
Straße 2, Objekt M2
2355 Wiener Neudorf
Phone +43 2236 6708-0
Fax +43 2236 6708-199
office.at@weidmueller.com
- AU Australia**
Weidmüller Pty. Ltd.
P.O. Box 6944
Huntingwood Drive 43
Huntingwood,
NSW, 2148
Phone +61 2 9671-9999
Fax +61 2 9671-9911
info@weidmuller.com.au
www.weidmuller.com.au
- AZ Azerbaijan**
West Industries Ltd.
Caspian Plaza, 5-th Floor
44 J. Jabbarly Str., Baku
Phone +99412 499 15 15
Fax +99412 499 14 93
sales@west-i.com
- BA Bosnia and Herzegovina**
BH ES ELEKTROSISTEM d.o.o.
ul. J. Veselinovica 18
78000 BiH Banja Luka
Phone +387 51 317500
Fax +387 51 304638
elsist@inecco.net
www.elektrosistem.co.yu
- BE Belgium**
Weidmüller Benelux B.V.
Mechelsesteenweg 519 bus 6 en 7
1930 Nossegem
Phone +32 (0)16 39 5990
Fax +32 (0)16 40 1051
info@weidmueller.be
www.weidmueller.be
- BG Bulgaria**
Weid-Bul EOOD
1113 Sofia
33A Nezabavka, bl.
315, fl.3, ap. 10
Phone +359 2 9632560
Fax +359 2 9631098
weidbul@nat.bg
www.weidbul.com
- BH Bahrain**
Khayber Trading Company
P.O. Box 1976 Manama,
Phone +973 720747
Fax +973 720331
khayber@batelco.com.bh
- BR Brazil**
Conexel Conexoes Elétricas Ltda.
Rua Garcia Lorca, 176
09695-900, Sao Paulo SP
Phone +55 11 43669600
Fax +55 11 43621677
vendas@conexel.com.br
www.conexel.com.br
- BY Belarus**
TECHNIKON Ltd.
Oktjabrskaya Str. 16/5
Apt. 704, Minsk 220801
Phone +375 17 2275830
Fax +375 17 2275830
technikon@belsonet.net
- CA Canada**
W Interconnections CANADA Ltd.
10 Spy Court, Markham,
Ontario L3 R5 H6
Phone +1 905 475-1507
Fax +1 905 475-2798
info1@weidmuller.ca
www.weidmuller.ca
- CH Switzerland**
Weidmüller Schweiz AG
Rundbuckstraße 2
8212 Neuhausen am Rheinfall
Phone +41 52 6740707
Fax +41 52 6740708
info@weidmueller.ch
www.weidmueller.ch
- CL Chile**
Felipe Bahamondes S.A./ATS AGRO
Maria Luisa Santander 0475
Casilla 3425
Santiago
Phone +56 2 341-1271
Fax +56 2 341-1275
felipe@atsintech.com
- CN China**
Weidmüller Interface International
Trading (Shanghai) Co., Ltd.
12 F, Century Ba-Shi Building,
No. 398 Huaihai Road (N)
Shanghai 200020
P.R. China
Phone +86 21 63868188
Fax +86 21 63867177
www.cnweidmuller.com
- CO Colombia**
Automatización Avanzada S. A.
Carrera 97 No.24c, 23 B4
4 Bogotá D. C.
Phone +57 1 5478510
Fax +57 1 4223044
comercial@
automatizacionavanzada.com
www.automatizacionavanzada.com
- CR Costa Rica**
ELVATRON S.A.
la Uruca 400 Norte
Banco Costa Rica
San José Costa Rica
Phone +506 2 961060
Fax +506 5 200609
dirk.haase@elvatron.com
www.elvatron.com
- CS Serbia-Montenegro**
ES-YU Elektrosistem
Pariske komune 41
11070 Novi Beograd, Serbia
Phone +381 11 2693608
Fax +381 11 3018060
esyu@eunet.yu
www.elektrosistem.co.yu
- CZ Czech Republic**
Weidmüller s. r. o.
Lomnického 5/1705
14000 Praha 4
Phone +420 2 44001400
Fax +420 2 44001499
office@weidmueller.cz
www.weidmueller.cz
- DE Germany**
Weidmüller GmbH & Co. KG
P.O. Box 3054
32720 Detmold
Ohmstraße 9
32758 Detmold
Phone +49 5231 1428-0
Fax +49 5231 1428-116
weidmueller@weidmueller.de
www.weidmueller.de
- DK Denmark**
Wexøe A/S
Lejrvej 31
2500 Værløse
Phone +45 45465800
Fax +45 45465801
wexoe@wexoe.dk
www.wexoe.dk
- EC Ecuador**
Elsystec S. A. Electricidad
Sistemas y Tecnología
Vasco de Contreras N35-25
y Mañosa, Quito
Phone +593 2 2456510
Fax +593 2 2456755
Elsystec@uiio.satnet.net
- EE Estonia**
Alter Electric OÜ
Gaasi 4A
11415 Tallinn
Phone +372 6519666
Fax +372 6519667
alter@alter.ee
www.alter.ee
- EG Egypt**
Standard Electric (OMEGA)
87, Mohamed Farid Street
Heliopolis, Cairo
Phone +20 26422977
Fax +20 26422955
stdelec@rite.com
- ES Spain**
Weidmüller S. A.
Narcis Monturiol 11-13
Pol.Ind. N 1 Sudoeste
8960 Sant Just Desvern
Barcelona
Phone +34 93 3722061
Fax +34 93 3718055
weidmuller@weidmuller.es
www.weidmuller.es
- FI Finland**
JUHA-ELEKTRO OY
P. O. Box 57, 641 Helsinki
Kylvöpolku 6, 680 Helsinki
Phone +358 10 8328 100
Fax +358 10 8328 109
info@juha-elektro.fi
www.juha-elektro.fi
- FR France**
Weidmüller E. U. R. L.
12, Chaussée Jules César
B.P. 263 Osny
95523 Cergy Pontoise Cedex
Phone +33 1 34245500
Fax +33 1 34245501
mail@weidmuller.fr
- GB Great Britain**
Weidmüller Ltd.
1 Abbey Wood Road
West Malling, Kings Hill
ME19 4YT
Phone +44 1732 877000
Fax +44 1732 874296
- GR Greece**
Electrorama S.A.
1 An. Martali Str.
41335 Larissa
Phone +30 2410 552533188
Fax +30 2410 283463189
valvizo@electrorama.com.gr
- HK Hong Kong**
United Equity Limited
Suite B, 11/F International Industrial
Centre
2-8 Kwei Tei Street, Fotan, Shatin
Phone +852 26876739
Fax +852 26876735
united_equity@sinatown.com
- HR Croatia**
Elektro Partner d.o.o.
Slavonska Avenija 24/6
10000 Zagreb
Phone +385 1 6184793
Fax +385 1 6184795
elektropartner@zg.t-com.hr
- HU Hungary**
Weidmüller Kereskedelmi Kft
Mádi utca 50
1104 Budapest
Phone +36 1 464-7888
Fax +36 1 3827701
info@weidmueller.hu
- ID Indonesia**
PT. Nego Electrindo
Ruko Mega Grosir Cempaka Mas,
Blok I No 20 – 22
Jl. Let.Jend. Suprato –
Jakarta 10640
Phone +62 21 42882255
Fax +62 21 42882266
sales@negoelectrindo.co.id
- IE Ireland**
Please contact Weidmüller Ltd. in
Great Britain
- IL Israel**
A.U.Shay Ltd.
P.O. Box 10049
Embar Street 23/25
Petch-Tikwa 49222
Phone +972 3 9233601
Fax +972 3 9234601
- ISrael**
ATEKA Ltd.
23 Hayetzira St.
Kiryat Aryeh
49130 Petch-Tikva, Israel
Phone +972 3 9392344
Fax +972 3 9243273
marketing@ateka.co.il
www.ateka.co.il
- IN India**
Weidmüller Electronics India Pvt. Ltd
Plot # 32, 3rd Floor, North Court
Lane North Avenue, Opp Jogger's Park
Kalyani Nagar, Maharastra
411006 Pune
Phone +91 9049800960
Nitish.Rajan@weidmueller.de
- IR Iran**
Tamin Ehtiajat Fani Tehran (TAF Co.)
72, Iranshahr Ave.(Unit # 5)
15816 Tehran
Phone +98 21 8831-7851
Fax +98 21 8882-0268
tafco@safineh.net
- IS Iceland**
Samey Automation Center
Lyngas 13, 210 Garoabaer,
Phone +354 510 5200
Fax +354 510 5201
samey@samey.is
- IT Italy**
Weidmüller S.R.L.
Via Albert Einstein 4
20092 Cinisello Balsamo
Milano
Phone +39 02 660681
Fax +39 02 6124945
weidmuller@weidmuller.it
www.weidmuller.it
- JO Jordan**
HORIZONS
P.O.Box: 330607
Amman Jordan 11133
Phone +962 6 4882114
Fax +962 6 4882115
horizons@go.com.jo
- JP Japan**
Nihon Weidmüller Co. Ltd.
Sphere Tower Tennoz,
2-2-8 Higashi-Shinagawa,
Shinagawa-Ku, Tokyo 140-0002
Phone +81 3 6711-5300
Fax +81 3 6711-5333
www.weidmuller.co.jp
- KR Korea**
Weidmüller Korea Co., Ltd.
6floor, Sukyoung building, 242-54
Nonhyun-dong, Kangnam-Gu
Seoul, Korea
Zip: 135-830
Phone +82 2 5160003
Fax +82 2 5160090
info@weidmuller.co.kr

Group companies **DE**

Agency abroad **DE**

Without own Agency **DE**

KW **Kuwait**
KANA CONTROLS General
Trading & Cont. CO. W.L.L.
Al Rai Industrial Area,
Plot 28-30, St. 31
P.O.Box: 25593
Safat, 13016
Phone +966-474 1373/4
Fax +966-474 1537
info@kanacontrols.com

KZ **Kazakhstan**
Please contact our
Weidmüller branch office
in Moscow, Russia

LB **Lebanon**
Progress Engineering & Trading
Enterprises
Al Nahr Street
Beirut
Phone +961 1 444664
Fax +961 1 561880
progress@inco.com.lb

LT **Lithuania**
ELEKTROS IRANGA
Tinklu g.29a, 5319 Panevezys
Phone +370 45582828
Fax +370 45582727
info@eliranga.lt

LU **Luxembourg**
Please contact Weidmüller
Benelux B.V. in the
Netherlands

LV **Latvia**
Please contact our
Weidmüller branch office
in Estonia

MD **Moldova**
BERHORD A&D srl
44, srt. Sarmizegetusa 37/3
Off 414, b-dul Decebal, 3,
Chisinau, MD 2001
Phone +373 22 507137
Fax +373 22 507134
atuleanu@berhord.com

MK **Macedonia**
ELEKTRO – SMK dool
UL. III Makedonska brigada b.b.
1000 Skopje
Phone +389 22 460 295
Fax +389 22 460 298
Elektro-smk@telekabel.net.mk

MT **Malta**
E. S. S., Electrical Supplies
& Services Ltd
104 J. Solberras Str.
Hamrun HMR 08
Phone +356 21 255 777
Fax +356 21 255 999
robert@ess.com.mt

MX **Mexico**
W Interconnections, S.A. DE C.V.
Blvd. Hermanos Serdán No. 698
Col. San Rafael Oriente
Puebla, C.P. 72029
Phone +52 222 22686227
clientes@weidmuller.com.mx

MY **Malaysia**
Connect Plus Technology Sdn Bhd
No. 43, Jalan PJS 11/22,
Bandar Sunway, 46150 Petaling Jaya
Selangor Darul Ehsan
Phone +60 3 5633 7363
Fax +60 3-5633 6562
paul@cptech.com.my
www.cptech.com.my

NL **Netherlands**
Weidmüller Benelux B.V.
Franciscusweg 221
1216 SE Hilversum
Postbus 1509
1200 BM Hilversum
Phone +31 35 6261261
Fax +31 35 6232044
info@weidmuller.nl

NO **Norway**
Siv. Ing. J. F. Knudtzen A/S
Billingstadsletta 97
P.O. Box 160
1378 Nesbru
Phone +47 66 983350
Fax +47 66 980955

NZ **New Zealand**
Cuthbert S. Steward Limited
27 Te Puni Street
POB 38496
Petone, Wellington
Phone +64 4 5686156
Fax +64 4 5686056
info@weidmueller.de

OM **Oman**
DAN INTERNATIONAL LLC.
PO.BOX 2901
111 Seeb
Phone +968 503 677
Fax +968 503 755
yedu@danintl.com

PE **Peru**
TECNOLOGÍA ELÉCTRICA Y
SOLUCIONES S.A.C.
Calle Huandoy 501, Lima 32, Peru
Phone / Fax +51 1 562-0004
info@tecsol-peru.com

PH **Philippines**
Enclosure Systems Specialists Inc
W-15 La Fuerza Compound
2241 Don Chino Roces Avenue
Makati City 1231
Phone +63 2 813 8580
Fax +63 2 813 8596
sales_encsys@pltdsl.net

PK **Pakistan**
Kana Controls (Pak)
Apartment No. 33 C III
Chenab Block,
Allama Iqbal Town
Lahore, Pakistan
Phone +92 42 5419948
+92 42 7845160
Fax +92 42 5422895
nadeem@kanapak.com
www.kanapak.com

PL **Poland**
Weidmüller Sp. z o.o.
Ul. Goledzinowska 10
03-302 Warszawa
Phone +48 22 5100940
Fax +48 22 5100941
biuro@weidmuller.com.pl
www.weidmuller.pl

PT **Portugal**
Weidmüller Sistemas de
Interface S. A.
Estrada Outeiro Polima, R. Augusto
Dias da Silva, Lote B, Esc. 2
2785-515 Aboboda -São Domingos
de Rana
Phone +351 21 4459191
Fax +351 21 4455871
www.weidmueller.pt

QA **Qatar**
Doha Motors Trading Co.
(Technical Division)
Post Box No. 145
Airport Road
Doha - Qatar
Phone +974 465 1441
Fax +974 465 0925
dmttech@qatar.net.qa

RO **Romania**
Rominterface Impex SRL
Str. Gh. Dem Teodorescu 30 A
30916 Bucuresti - sector 3
Phone +40 21 3220230
Fax +40 21 3228857
office@rominterface.ro

RU **Russia**
Weidmüller Interface GmbH & Co. KG
Representative Office
Ul. Shabolovka 2
119049 Moscow, Russia
Phone +7 4 95 771-6940
Fax +7 4 95 771-6941
info@weidmueller.ru
www.weidmueller.ru

SA **Saudi Arabia**
Al Abdulkarim Holding Co.
P.O Box. 4
Dammam 31411
Phone +9668337110
Fax +9668338242
salehsk@akh.com.sa
www.akte.com.sa

Saudi Electric Supply Co.
P.O. Box 3298
Al Khobar 31952
Phone +966 3 882 9546227
Fax +966 3 882 9547
Safdar.malik@sesco-ge.com

SE **Sweden**
Weidmüller AB
Axel Daniéssons väg 271
P.O. box 31025
200 49 Malmö
Phone +46 (0) 7 71 43 00 44
Fax +46 (0) 40 37 48 60
info@weidmuller.se
www.weidmuller.se

SG **Singapore**
Weidmüller Pte. Ltd.
70 Bendemeer Road
#04-03 Luzerne
Singapore 339940
Phone +65 6841 5311
Fax +65 6841 5377
info@weidmuller.com.sg
www.weidmuller.com.sg

SI **Slovenia**
ELEKTROSPOJIL d.o.o.
Stegne 25, 1000 Ljubljana
Phone +386 15113810
Fax +386 15111604
elektrospojil@siol.net
www.elektrospojil.si

SK **Slovakia**
ELEKTRIS s.r.o.
Elektrárnská 1
83104 Bratislava
Phone +421 2 49200113
Fax +421 2 49200119
weidmueller@computel.sk

TH **Thailand**
Pisanu Engineering Co., Ltd
800/2 Asoke Dindaeng Road,
Dindaeng, Bangkok 10400
Phone +66 2 245 9113
Fax +66 2 2463214
pisanu@kanit.co.th
www.pisanu.co.th

TN **Tunisia**
Please contact
Weidmüller E.U.R.L. in France

TR **Turkey**
Weidmüller Elektronik Ticaret Ltd.
Sirketi
Kavacik Mah. Orhan Veli Kanik
Caddesi 9/1
34810 Beykoz – Istanbul
Phone +90 216 5371070 (Pbx)
Fax +90 216 5371077
info@weidmuller.com.tr
www.weidmuller.com.tr

TW **Taiwan**
Fittatek Co., Ltd.
12F No. 185 Fu-Kuo Road,
Tso Ying Dist
Kaohsiung
Phone +886 7 556 0858
Fax +886 7 556 3279
stanley@fittatek.com.tw
www.fittatek.com.tw

Taiwan
Eucan Enterprise Ltd.
No. 145 He Ping 2nd Rd
Kaohsiung
Phone +886 7 715 6610
Fax +886 7 715 8748
mark@eucan.com.tw
www.eucan.com.tw

UA **Ukraine**
TEKO INTERFACE ooo
ul. Lewanewskogo 6
03058 Kiev
Phone +38 044 401 09 90
Fax +38 044 401 08 64
weidmueller@tekointerface.com
www.tekointerface.com.ua

US **United States**
W-Interconnections Inc.
821 Southlake Boulevard,
Virginia - Richmond 23236
Phone +1 804 7942877
Fax +1 804 3792593
info@weidmuller.com
www.weidmuller.com

UY **Uruguay**
REWO Uruguay S.A
Av. Bolivia 2001 Esq Rocafuerte
Carrasco Montevideo 11300
Phone / Fax +598 260 48439
clorda@reworuguay.com.uy

UZ **Uzbekistan**
OOO "Elektro Potential"
Gani Mavijanovna str., 2B
100084 Tashkent
Phone +998 98-3003821
Fax +998 71-1249286
mzi1958@yandex.ru

VE **Venezuela**
Somereinca C.A.
Quinta Sagrado Corazon de Jesus -
3ra Transversal - Los Dos Caminos,
Caracas 1070 - A
Phone +58 212 2352748
Fax +58 212 2399341
kicoemoeller@cantv.net
www.kmsomerinca.com.ve

VN **Vietnam**
AUMI Co., Ltd
E1, La Thanh Hotel,
218 Doi Can Street,
Lieu Giai Ward, Ba Dinh District,
Hanoi City
Phone +84 4762 8601
Fax +84 4266 1391
aumi@aumi.com.vn

Linh Kim Hai Co., Ltd
78 Hoa Cuc Street Ward 7,
Phu Bhuan District,
Ho Chi Minh City
Phone +84 8517 1717
Fax +84 8517 1818
lkh@linhkimhai.com.vn

New Sky Co., Ltd
44/28 Tan Hai Street,
Ward 13, Tan Binh District,
Ho Chi Minh City
Phone +84 8812 6593
Fax +84 8812 6594
newsy-e@hcm.vnn.vn
www.newsy-e.com

ZA **South Africa**
Phambili Interface (Pty) Ltd
P.O. Box 193, 1609 Johannesburg
5 Bundo Road, Sebzenza
1610 Johannesburg, Endenvale
Phone +27 11 452 1930
Fax +27 11 452 6455
sales@weidmuller.co.za
www.radinterface.co.za

DE **Other countries**
Weidmüller Interface GmbH & Co. KG
Postfach 3030
32720 Detmold
Klingenbergstraße 16
32758 Detmold
Phone +49 5231 14-0
Fax +49 5231 14-2083
info@weidmueller.de
www.weidmueller.com

Argentina	Indonesia	Saudi Arabia
Australia	Iran	Serbia
Austria	Ireland	Singapore
Azerbaijan	Israel	Slovakia
Bahrain	Italy	Slovenia
Belarus	Japan	South Africa
Belgium	Jordan	Spain
Bosnia and Herzegovina	Kazakhstan	Sweden
Brazil	Korea	Switzerland
Bulgaria	Kuwait	Taiwan
Canada	Latvia	Thailand
Chile	Lebanon	Tunisia
China	Lithuania	Turkey
Colombia	Luxembourg	Ukraine
Costa Rica	Macedonia	United Arab Emirates
Croatia	Malaysia	United States
Czech Republic	Malta	Uruguay
Denmark	Mexico	Uzbekistan
Ecuador	Moldova	Venezuela
Egypt	Netherlands	Vietnam
Estonia	New Zealand	
Finland	Norway	
France	Oman	
Germany	Pakistan	
Great Britain	Peru	
Greece	Philippines	
Hong Kong	Poland	
Hungary	Portugal	
Iceland	Qatar	
India	Romania	
	Russia	

Weidmüller positions itself worldwide successfully on a sustained basis as the leading provider of solutions for electrical connectivity, transmission and conditioning of power, signal and data in industrial environments.

The company develops, produces and sells products in the field of electrical connectivity and electronics.

Weidmüller's product and service portfolio is dedicated to add value to the products and thereby the business of our customers.

We cannot guarantee that there are no mistakes in the publications or software provided by us to the customer for the purpose of making orders. We try our best to quickly correct errors in our printed media.

All orders are based on our general terms of delivery, which can be reviewed on the websites of our group companies where you place your order. On demand we can also send the general terms of delivery to you.