

Large polyester enclosures

The enclosures of the TBF series are made from robust glass fibre-reinforced polyester. They provide universal solutions for housing a whole host of components such as regulators, measuring instruments, valves, etc.

Features:

- 9 sizes in 2 versions
- Cover with nylon screws
- Mounting holes located outside of the sealed area
- Threaded holes for mounting rails and mounting plates

Our assembly service can supply these enclosures preassembled with terminals and cable glands according to customer requirements.



Technical data

Material	Grey cover Transparent cover	Enclosure and cover of glass fibre-reinforced plastic (GRP) Enclosure base of glass fibre-reinforced plastic (GRP), cover of polycarbonate (PC)
Surface		Grey, similar to RAL 7035
Gasket		Polyurethane
Cover fixing		4 or 6 captive crosshead nylon screws
Equipment mounting		4 or 6 clamping screws M 4
Protection class	Grey cover Transparent cover	IP 67 IP 66
Impact resistance	Grey cover Transparent cover	4 J 7 J
Temperature range	Grey cover Transparent cover	-50 °C to + 150 °C -50 °C to +130 °C
Flammability	Grey cover Transparent cover	UL 94 HB V2
Toxicity		Halogen-free

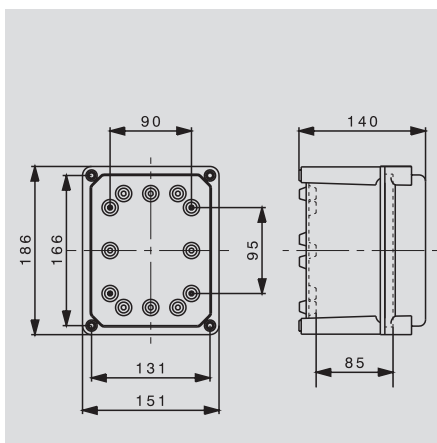
Overview of enclosures

Type H x W x D	186 x 151 x 139	302 x 186 x 175	302 x 302 x 175	372 x 302 x 175	488 x 302 x 175/210	558 x 302 x 175/210
Grey cover	0360100000	0360200000	0360300000	0360400000	9502800000	9502810000
Transparent cover	0500500000	0500600000	0500700000	0500800000	9502840000	9502850000
Type H x W x D	603 x 302 x 175/210	603 x 372 x 175/210	603 x 603 x 175/210			
Grey cover	0360500000	9502820000	9502830000			
Transparent cover	0500900000	9502860000	9502870000			

Versatile polyester enclosure

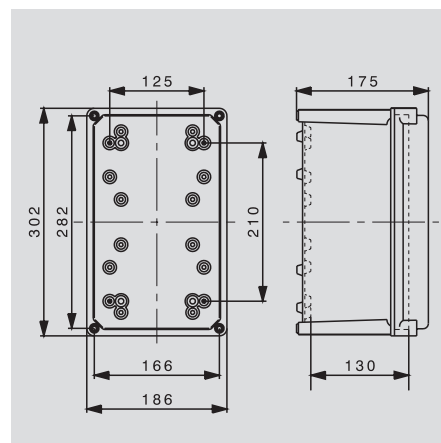


TBF 19/15



186 x 151 x 139 (7.32 x 5.94 x 5.47)

TBF 30/19



302 x 186 x 175 (11.89 x 7.32 x 6.89)

Height x Width x Depth mm (in)

Technical data

Dimensions

Interior depth	mm	85
Weight	g	1055

Cable entries

	Top / Bottom	Left / Right
M16	6	6
M20	2	2
M25	2	2
M32	1	1
M40	1	1
M50		

Terminal equipment content

WDU 2,5 / ZDU 2,5	1 x 18
WDU 4 / ZDU 4	1 x 15
WDU 6 / ZDU 6	1 x 11
WDU 10 / ZDU 10	1 x 9

Refer to the Terminal Content Guide Depending on the Cable Size and Permitted Current, page E.9.

Note

	Top / Bottom	Left / Right
	14	30
	11	22
	6	10
	3	5
	1	3
	1	3

	1 x 44
	1 x 37
	1 x 28
	1 x 22

Interior depth	mm	130
Weight	g	1750

	Top / Bottom	Left / Right
	14	30
	11	22
	6	10
	3	5
	1	3
	1	3

	1 x 44
	1 x 37
	1 x 28
	1 x 22

Ordering data

Enclosure with gray lid	
Enclosure with transparent lid	

Note

Type	Order No.
TBF 19/15/14 7036	0360100000
TBF 19/15/14 trsp	0500500000

Type	Order No.
TBF 30/19/18 7036	0360200000
TBF 30/19/18 trsp	0500600000

Accessories

Mounting plate	
2 mm sheet steel	zinc-plated
External fixing lugs	
Set of 4 pieces each	polyamide
Earth stud	
M6	Brass
M6	stainless steel
M10	Brass
M10	stainless steel

Type	Qty.	Order No.
MP TBF 19/15	1	9502720000
MF TBF	1	0360800000
ES TBF M6 brass	1	9502700000
ES TBF M6 ss	1	9505240000
ES TBF M10 brass	1	9502710000
ES TBF M10 ss	1	9500870000

Type	Qty.	Order No.
MP TBF 30/19	1	3018950000
MF TBF	1	0360800000
ES TBF M6 brass	1	9502700000
ES TBF M6 ss	1	9505240000
ES TBF M10 brass	1	9502710000
ES TBF M10 ss	1	9500870000

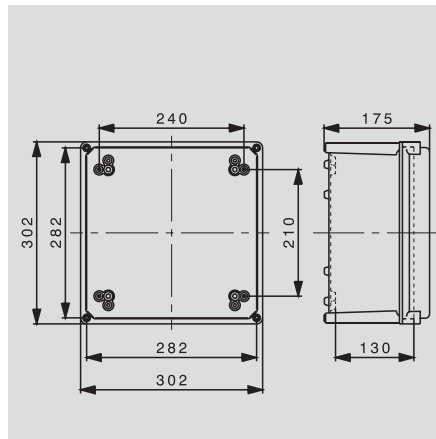
Note

TBF - Polyester enclosures

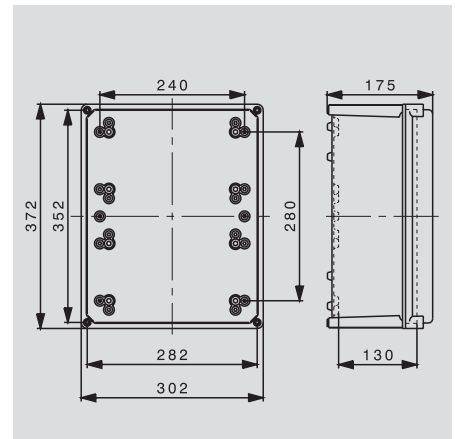
Versatile polyester enclosure



TBF 30/30


302 x 302 x 175 (11.89 x 11.89 x 6.89)

TBF 37/30


372 x 302 x 175 (14.64 x 11.89 x 6.89)
Height x Width x Depth mm (in)

Technical data

Dimensions

Interior depth	mm	130
Weight	g	2270

Cable entries

	Top / Bottom	Left / Right
M16	24	24
M20	20	20
M25	10	10
M32	4	4
M40	3	3
M50	3	3

Terminal equipment content

WDU 2,5 / ZDU 2,5	1 x 44
WDU 4 / ZDU 4	1 x 37
WDU 6 / ZDU 6	1 x 28
WDU 10 / ZDU 10	1 x 22

Refer to the Terminal Content Guide Depending on the Cable Size and Permitted Current, page E.9.

Note

	Top / Bottom	Left / Right
	24	30
	20	27
	10	12
	4	5
	3	4
	3	4

	2 x 44
	2 x 37
	2 x 28
	2 x 22

Interior depth	mm	130
Weight	g	2900

	Top / Bottom	Left / Right
	24	30
	20	27
	10	12
	4	5
	3	4
	3	4

	2 x 44
	2 x 37
	2 x 28
	2 x 22

Ordering data

Enclosure with gray lid
Enclosure with transparent lid

Type	Order No.
TBF 30/30/18 7036	0360300000
TBF 30/30/18 trsp	0500700000

Type	Order No.
TBF 37/30/18 7036	0360400000
TBF 37/30/18 trsp	0500800000

Note

Accessories

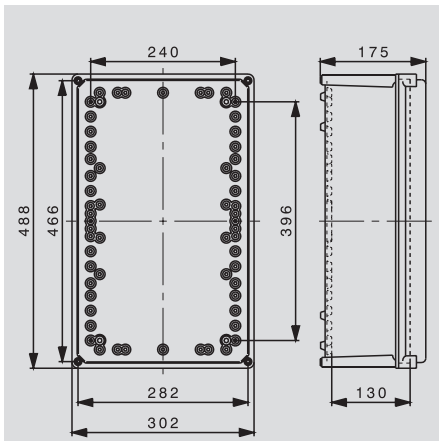
Mounting plate	
2 mm sheet steel	zinc-plated
External fixing lugs	
Set of 4 pieces each	polyamide
Earth stud	
M6	Brass
M6	stainless steel
M10	Brass
M10	stainless steel

Type	Qty.	Order No.
MP TBF 30/30	1	9502730000
MF TBF	1	0360800000
ES TBF M6 brass	1	9502700000
ES TBF M6 ss	1	9505240000
ES TBF M10 brass	1	9502710000
ES TBF M10 ss	1	9500870000

Type	Qty.	Order No.
MP TBF 37/30	1	9502740000
MF TBF	1	0360800000
ES TBF M6 brass	1	9502700000
ES TBF M6 ss	1	9505240000
ES TBF M10 brass	1	9502710000
ES TBF M10 ss	1	9500870000

Note

TBF 49/30



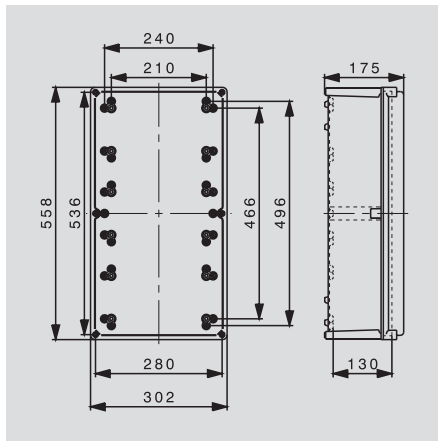
488 x 302 x 175/210 (19.21 x 11.89 x 6.85/8.27)

130	
3760	
Top / Bottom	Left / Right
24	42
20	36
10	18
4	7
3	5
3	5
3 x 44	
3 x 37	
3 x 28	
3 x 22	
gray cover: 130 mm internal height, 175 mm total height Transparent cover: 160mm internal height, 210 mm total height	

Type	Order No.
TBF 49/30/18 7036	9502800000
TBF 49/30/21 trsp	9502840000

Type	Qty.	Order No.
MP TBF 49/30	1	9500960000
MF TBF	1	0360800000
ES TBF M6 brass	1	9502700000
ES TBF M6 ss	1	9505240000
ES TBF M10 brass	1	9502710000
ES TBF M10 ss	1	9500870000

TBF 56/30



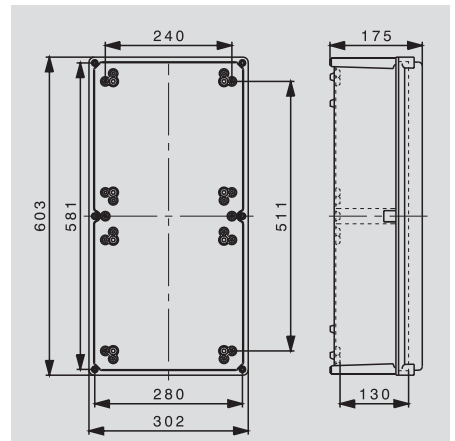
558 x 302 x 175/210 (21.97 x 11.89 x 6.85/8.27)

140	
3970	
Top / Bottom	Left / Right
24	46
20	40
10	18
4	8
3	6
3	4
4 x 44	
4 x 37	
4 x 28	
4 x 22	
gray cover: 130 mm internal height, 175 mm total height Transparent cover: 160mm internal height, 210 mm total height	

Type	Order No.
TBF 56/30/18 7036	9502810000
TBF 56/30/21 trsp	9502850000

Type	Qty.	Order No.
MP TBF 56/30	1	9500950000
MF TBF	1	0360800000
ES TBF M6 brass	1	9502700000
ES TBF M6 ss	1	9505240000
ES TBF M10 brass	1	9502710000
ES TBF M10 ss	1	9500870000

TBF 60/30



603 x 302 x 175/210 (23.74 x 11.89 x 6.85/8.27)

140	
4380	
Top / Bottom	Left / Right
24	48
20	40
10	20
4	8
3	6
3	6
1 x 101	
1 x 85	
1 x 64	
1 x 51	
gray cover: 130 mm internal height, 175 mm total height Transparent cover: 160mm internal height, 210 mm total height	

Type	Order No.
TBF 60/30/18 7036	0360500000
TBF 60/30/21 trsp	0500900000

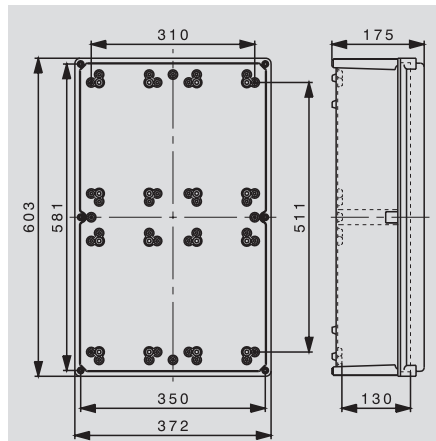
Type	Qty.	Order No.
MP TBF 60/30	1	9502750000
MF TBF	1	0360800000
ES TBF M6 brass	1	9502700000
ES TBF M6 ss	1	9505240000
ES TBF M10 brass	1	9502710000
ES TBF M10 ss	1	9500870000

TBF - Polyester enclosures

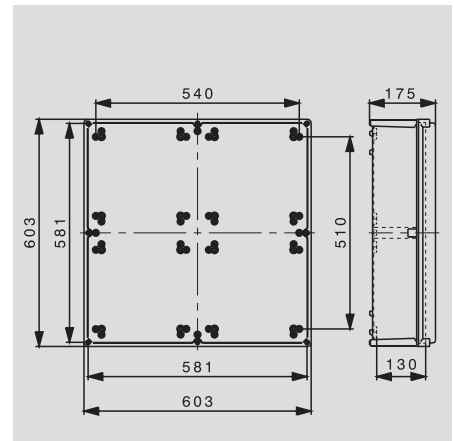
Versatile polyester enclosure



TBF 60/37



TBF 60/60



Height x Width x Depth mm (in)

603 x 372 x 175/210 (23.74 x 14.64 x 6.85/8.27)

603 x 603 x 175/210 (23.74 x 23.74 x 6.85/8.27)

Technical data

Dimensions

Interior depth	mm	140
Weight	g	5350

Cable entries

	Top / Bottom	Left / Right
M16	30	48
M20	26	40
M25	12	20
M32	5	8
M40	4	6
M50	4	6

Terminal equipment content

WDU 2,5 / ZDU 2,5	2 x 101
WDU 4 / ZDU 4	2 x 85
WDU 6 / ZDU 6	2 x 64
WDU 10 / ZDU 10	2 x 51

Refer to the Terminal Content Guide Depending on the Cable Size and Permitted Current, page E.9.

Note

gray cover: 130 mm internal height, 175 mm total height
 Transparent cover: 160mm internal height, 210 mm total height

Interior depth	mm	140
Weight	g	7400

	Top / Bottom	Left / Right
M16	48	48
M20	40	40
M25	20	20
M32	8	8
M40	6	6
M50	6	6

WDU 2,5 / ZDU 2,5	4 x 101
WDU 4 / ZDU 4	4 x 85
WDU 6 / ZDU 6	4 x 64
WDU 10 / ZDU 10	4 x 51

gray cover: 130 mm internal height, 175 mm total height
 Transparent cover: 160mm internal height, 210 mm total height

Ordering data

Enclosure with gray lid	
Enclosure with transparent lid	

Type	Order No.
TBF 60/37/18 7036	9502820000
TBF 60/37/21 trsp	9502860000

Type	Order No.
TBF 60/60/18 7036	9502830000
TBF 60/60/21 trsp	9502870000

Note

Accessories

Mounting plate	
2 mm sheet steel	zinc-plated
External fixing lugs	
Set of 4 pieces each	polyamide
Earth stud	
M6	Brass
M6	stainless steel
M10	Brass
M10	stainless steel

Type	Qty.	Order No.
MP TBF 60/37	1	9502910000
MF TBF	1	0360800000
ES TBF M6 brass	1	9502700000
ES TBF M6 ss	1	9505240000
ES TBF M10 brass	1	9502710000
ES TBF M10 ss	1	9500870000

Type	Qty.	Order No.
MP TBF 60/60	1	9502920000
MF TBF	1	0360800000
ES TBF M6 brass	1	9502700000
ES TBF M6 ss	1	9505240000
ES TBF M10 brass	1	9502710000
ES TBF M10 ss	1	9500870000

Note