

STB-Series**Small sheet steel enclosures**

The STB-Series is used as distributor box particularly for light and weighing systems as well as in the building system automation.

The stainless steel versions of its series are recommended for the chemicals and food industry due to the special demands made in these fields.

Features:

- 8 sizes in 2 material versions
- Lid with 4 hexagonal crosshead screws M6
- Internal/External earthing stud
- Fixing lugs



Our assembly service can supply these enclosures pre-assembled with terminals and cable glands according to customer requirements.

Technical data


Material	Sheet steel 1.5 mm Stainless steel 1.4404 1.5 mm
Surface	Painted Light gray textured protective paint (similar to RAL 7032) Stainless steel Polished, chemically dipped
Gasket	Size 1–4: Chloroprene Size 5–6: Silicone HT800
Lid fixing	4 captive hexagonal crosshead screws M 6
Earthing	Internal/External brass earthing stud M 6
Enclosure mounting	External mounting lugs with 8 mm holes
Equipment mounting	TAS 20 rail welded to enclosure base
Protection class	IP 66
Impact resistance	7J
Temperature range	-20°C to +85°C

Approvals

KEMA 02ATEX2087 U

 II 2 GD EEx e II

KEMA 00ATEX8500 X

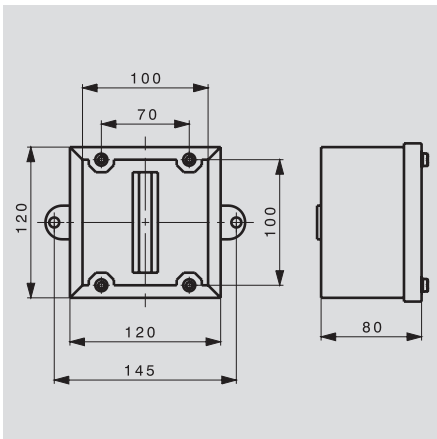
II 2 G EEx e II
II 2 D T100°C
 II 1 G EEx ia IIC T6
II 2 D T100°C
II 2 (1) G EEx e [ia] IIC T6
II 2 D T100°C

 listed

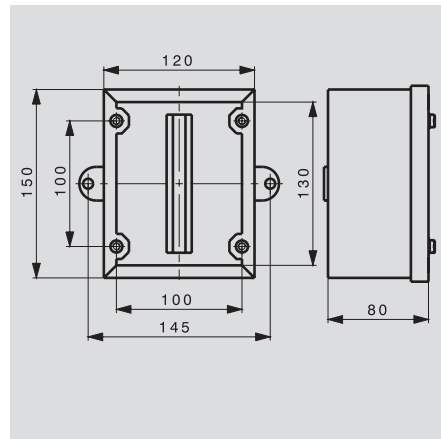
Small sheet steel enclosures



STB 1



STB 1.1



Height x Width x Depth mm (in)

120 x 120 x 80 (4.72 x 4.72 x 3.15)

150 x 120 x 80 (5.90 x 4.72 x 3.15)

Technical data

Dimensions

Inner height	mm	65
Weight	g	1400

Cable entries

M16	6
M20	3
M25	2
M32	1
M40	1
M50	1

Top / Bottom	Left / Right
6	6
3	4
2	2
1	1
	1

64
1550

Top / Bottom	Left / Right
6	8
5	6
2	3
1	2
1	1

Terminal equipment content

WDU 2.5 / ZDU 2.5	1 x 7	1 x 11
WDU 4 / ZDU 4	1 x 6	1 x 9
WDU 6 / ZDU 6	1 x 5	1 x 7
WDU 10 / ZDU 10	1 x 4	1 x 6

Refer to the Terminal Content Guide Depending on the Cable Size and Permitted Current, page E.4.

Vertical	Horizontal
1 x 7	1 x 11
1 x 6	1 x 9
1 x 5	1 x 7
1 x 4	1 x 6

Vertical	Horizontal
1 x 13	1 x 11
1 x 11	1 x 9
1 x 8	1 x 7
1 x 7	1 x 6

Information

Ordering data

Painted

Type	STB 1 PAINTED	3873100000
------	---------------	------------

Type	STB1.1 Standardlackierung	9524770000
------	---------------------------	------------

Stainless steel

Type	STB 1 S-ST1.4404	3873300000
------	------------------	------------

Type	STB 1.1 S/S	9524780000
------	-------------	------------

Information

Accessories

Screw with nut M5
Screw with nut M4
Screw with nut M3

Type	Qty.	Order No.
SFNS5 VKMU M5 SW16	10	0433500000
SFNS/4	500	0500000000
SFNS/3 STB BOXES	10	3875100000

Type	Qty.	Order No.
SFNS5 VKMU M5 SW16	10	0433500000
SFNS/4	500	0500000000
SFNS/3 STB BOXES	10	3875100000

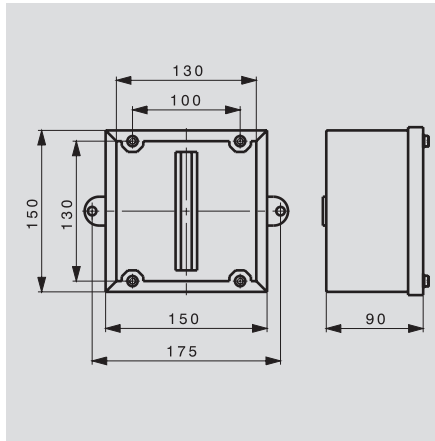
Information

STB-Series

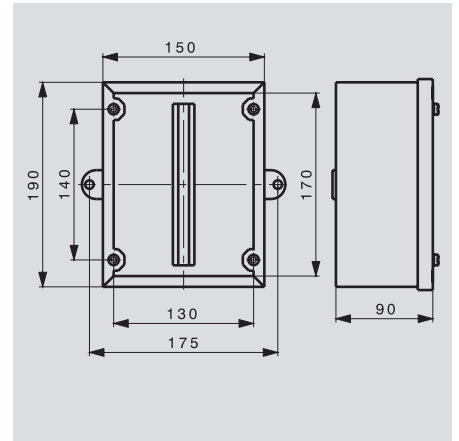
Small sheet steel enclosures



STB 2



STB 2.1



Height x Width x Depth mm (in)

150 x 150 x 90 (5.90 x 5.90 x 3.54)

190 x 150 x 90 (7.48 x 5.90 x 3.54)

Technical data

Dimensions

Inner height	mm	75
Weight	g	1900

Cable entries

M16	10
M20	4
M25	3
M32	2
M40	
M50	

Top / Bottom	Left / Right
10	8
4	6
3	3
2	2
	1

Top / Bottom	Left / Right
10	12
4	8
3	4
2	3
	2

Terminal equipment content

WDU 2.5 / ZDU 2.5	
WDU 4 / ZDU 4	
WDU 6 / ZDU 6	
WDU 10 / ZDU 10	
Refer to the Terminal Content Guide Depending on the Cable Size and Permitted Current, page E.4.	

Vertical	Horizontal
1 x 13	1 x 11
1 x 11	1 x 9
1 x 8	1 x 7
1 x 7	1 x 6

Vertical	Horizontal
1 x 21	1 x 11
1 x 17	1 x 9
1 x 13	1 x 7
1 x 10	1 x 6

Information

Ordering data

Painted

Type	
STB 2 PAINTED	3873500000

Type	
STB 2.1 ptd.	9524790000

Stainless steel

Type	
STB 2 S-ST1.4404	3873700000

Type	
STB 2.1 S/S	9524800000

Information

Accessories

Screw with nut M5
Screw with nut M4
Screw with nut M3

Type	Qty.	Order No.
SFNS5 VKMU M5 SW16	10	0433500000
SFNS/4	500	0500000000
SFNS/3 STB BOXES	10	3875100000

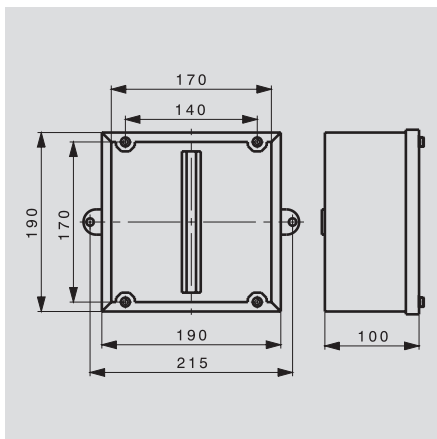
Type	Qty.	Order No.
SFNS5 VKMU M5 SW16	10	0433500000
SFNS/4	500	0500000000
SFNS/3 STB BOXES	10	3875100000

Information

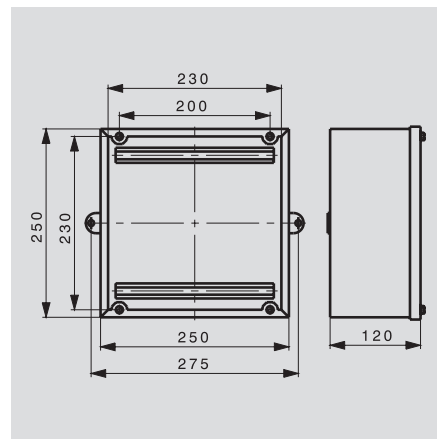
Small sheet steel enclosures



STB 3



STB 4



Height x Width x Depth mm (in)

190 x 190 x 100 (7.48 x 7.48 x 3.94)

250 x 250 x 120 (9.84 x 9.84 x 4.72)

Technical data

Dimensions

Inner height	mm	85
Weight	g	3000

Cable entries

M16	12
M20	10
M25	4
M32	3
M40	2
M50	2

Terminal equipment content

WDU 2.5 / ZDU 2.5	1 x 21
WDU 4 / ZDU 4	1 x 17
WDU 6 / ZDU 6	1 x 13
WDU 10 / ZDU 10	1 x 10

Refer to the Terminal Content Guide Depending on the Cable Size and Permitted Current, page E.4.

Information

Ordering data

Painted

Type	Order No.
STB 3 PAINTED	9513870000

Type	Order No.
STB 4 PAINTED	9513900000

Stainless steel

STB 3 S-ST1.4404	9513890000
------------------	------------

STB 4 S-ST1.4404	9513920000
------------------	------------

Information

Accessories

Screw with nut M5
Screw with nut M4
Screw with nut M3

Type	Qty.	Order No.
SFNS5 VKMU M5 SW16	10	0433500000
SFNS/4	500	0500000000
SFNS/3 STB BOXES	10	3875100000

Type	Qty.	Order No.
SFNS5 VKMU M5 SW16	10	0433500000
SFNS/4	500	0500000000
SFNS/3 STB BOXES	10	3875100000

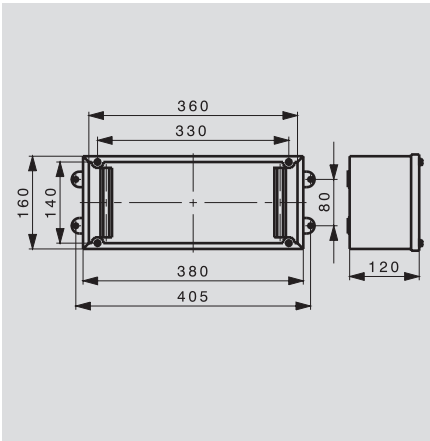
Information

STB-Series

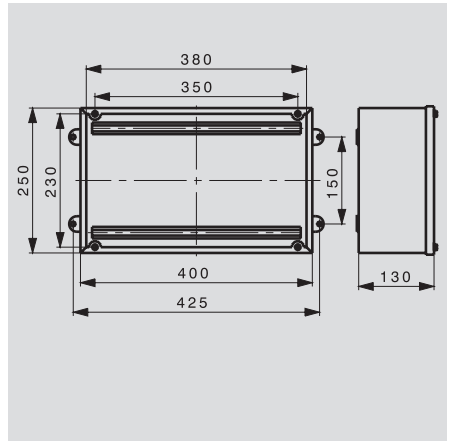
Small sheet steel enclosures



STB 5



STB 6



Height x Width x Depth mm (in)

160 x 380 x 120 (6.30 x 14.96 x 4.72)

250 x 400 x 130 (9.84 x 15.75 x 5.12)

Technical data

Dimensions

Inner height	mm	105
Weight	g	3700

Cable entries

M16	42
M20	33
M25	18
M32	7
M40	6
M50	4

Top / Bottom Left / Right

42	18
33	11
18	6
7	4
6	2
4	1

115
5400

Top / Bottom Left / Right

60	32
35	20
18	10
14	8
6	3
5	2

Terminal equipment content

WDU 2.5 / ZDU 2.5	3 x 15
WDU 4 / ZDU 4	3 x 13
WDU 6 / ZDU 6	3 x 9
WDU 10 / ZDU 10	3 x 7

Refer to the Terminal Content Guide Depending on the Cable Size and Permitted Current, page E.4.

Vertical Horizontal

3 x 15	1 x 54
3 x 13	1 x 45
3 x 9	1 x 34
3 x 7	1 x 27

Vertical Horizontal

3 x 31	1 x 61
3 x 26	1 x 51
3 x 19	1 x 39
3 x 15	1 x 31

Information

Ordering data

Painted

Type	STB 5 PAINTED	9505260000
-------------	---------------	-------------------

Type	STB 6 PAINTED	9505270000
-------------	---------------	-------------------

Stainless steel

Type	STB 5 S-ST1.4404	9505300000
-------------	------------------	-------------------

Type	STB 6 S-ST1.4404	9505310000
-------------	------------------	-------------------

Information

Accessories

Screw with nut M5	10	0433500000
Screw with nut M4	500	0500000000
Screw with nut M3	10	3875100000

Type	Qty.	Order No.
SFNS5 VKMU M5 SW16	10	0433500000
SFNS/4	500	0500000000
SFNS/3 STB BOXES	10	3875100000

Type	Qty.	Order No.
SFNS5 VKMU M5 SW16	10	0433500000
SFNS/4	500	0500000000
SFNS/3 STB BOXES	10	3875100000

Information