

Medium-sized polycarbonate enclosures

A

The enclosures of the FPC series represent the next generation of the MPC series.

Features:

- 6 sizes
- Gray or transparent cover
- Cover with sealing holes
- Mounting holes located outside of the sealed area
- Threaded holes for mounting rails, mounting plates and PCBs

Our assembly service can supply these enclosures preassembled with terminals and cable glands according to customer requirements.



Technical data

Material	Polycarbonate
Cover	Transparent or gray
Surface	Gray, similar to RAL 7035
Gasket	Foamed polyurethane
Cover fixing	4 crosshead screws (polyamide)
Enclosure mounting	4 holes Ø 7.5 or external fixing lugs (accessories)
Equipment mounting	Self-tapping screws
Protection class	IP 66 and IP 67
Temperature range	-50 °C to +130 °C

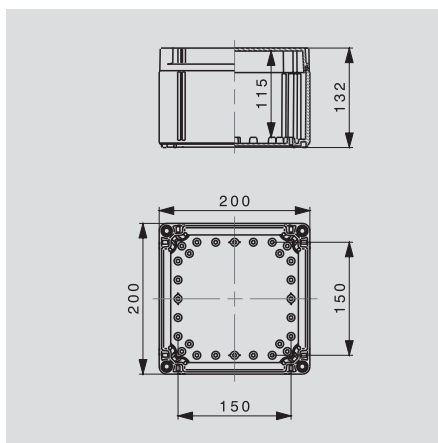
Overview of enclosures

Type H x W x D	200 x 200 x 130	200 x 300 x 130	200 x 400 x 130	300 x 300 x 130	300 x 400 x 130	400 x 600 x 130
Enclosure with gray lid	9535690000	9535710000	9535730000	9535750000	9535770000	9535810000
Enclosure with transparent lid	9535680000	9535700000	9535720000	9535740000	9535760000	9535820000

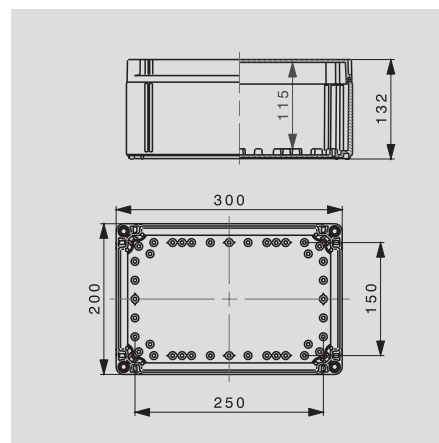
Medium-sized polycarbonate enclosure



FPC 20/20/13



FPC 20/30/13



Height x Width x Depth mm (in)

200 x 200 x 130 (7.87 x 7.87 x 5.12)

300 x 200 x 130 (11.81 x 7.87 x 5.12)

Technical data

Dimensions	
Interior depth	mm
Weight	g
Cable entries	
M16	
M20	
M25	
M32	
M40	
M50	
Terminal equipment content	
WDU 2,5 / ZDU 2,5	
WDU 4 / ZDU 4	
WDU 6 / ZDU 6	
WDU 10 / ZDU 10	
Note	

110	
1039	
Top / Bottom	Left / Right
11	11
6	6
4	4
2	2
1	1
1	1
1x17	
1x14	
1x10	
1x8	
Note	

110	
1349	
Top / Bottom	Left / Right
21	11
12	6
8	4
3	2
3	1
2	1
2x20	
2x17	
2x13	
2x10	
Note	

Ordering data

Enclosure with gray lid	
Transparent lid	
Note	

Type	Order No.
FPC 20/20/13 7035	9535690000
FPC 20/20/13 trsp	9535680000
Note	

Type	Order No.
FPC 20/30/13 7035	9535710000
FPC 20/30/13 trsp	9535700000
Note	

Accessories

Mounting plate	
1.5 mm sheet steel	zinc-plated
Other accessories	
External fixing lugs	Set of 4 pieces each
Hinges	Set of 2 pieces each
Note	

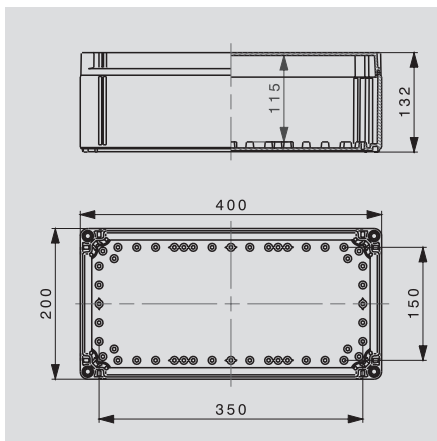
Type	Qty.	Order No.
MP FPC 20/20	1	9535920000
MF FPC	1	9536040000
HG FPC	1	9535990000
Note		

Type	Qty.	Order No.
MP FPC 20/30	1	9535930000
MF FPC	1	9536040000
HG FPC	1	9535990000
Note		

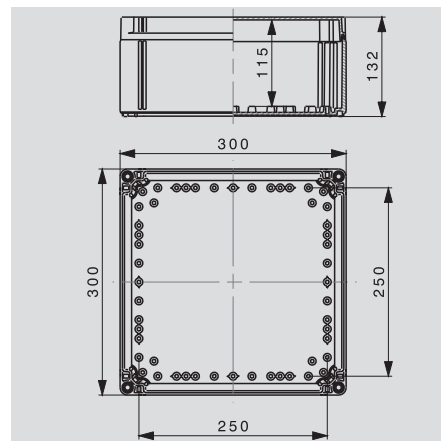
Medium-sized polycarbonate enclosure



FPC 20/40/13



FPC 30/30/13



Height x Width x Depth mm (in)

400 x 200 x 130 (15.75 x 7.87 x 5.12)

300 x 300 x 130 (11.81 x 11.81 x 5.12)

Technical data

Dimensions	
Interior depth	mm
Weight	g
Cable entries	
M16	
M20	
M25	
M32	
M40	
M50	
Terminal equipment content	
WDU 2,5 / ZDU 2,5	
WDU 4 / ZDU 4	
WDU 6 / ZDU 6	
WDU 10 / ZDU 10	
Note	

110	
1674	
Top / Bottom	Left / Right
30	11
18	6
12	4
5	2
4	1
4	1
3x20	
3x17	
3x13	
3x10	
Note	

110	
1738	
Top / Bottom	Left / Right
21	21
12	12
8	8
3	3
3	3
2	2
2x40	
2x33	
2x25	
2x20	
Note	

Ordering data

Enclosure with gray lid	
Transparent lid	
Note	

Type	Order No.
FPC 20/40/13 7035	9535730000
FPC 20/40/13 trsp	9535720000
Note	

Type	Order No.
FPC 30/30/13 7035	9535750000
FPC 30/30/13 trsp	9535740000
Note	

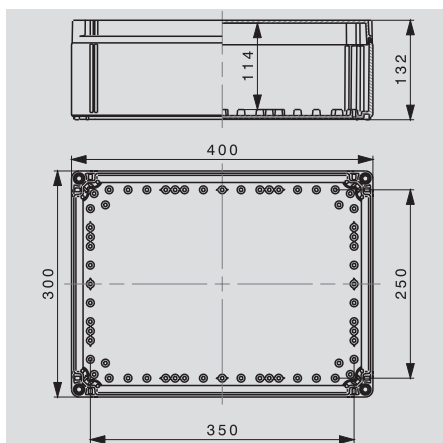
Accessories

Mounting plate	
1.5 mm sheet steel	zinc-plated
Other accessories	
External fixing lugs	Set of 4 pieces each
Hinges	Set of 2 pieces each
Note	

Type	Qty.	Order No.
MP FPC 20/40	1	9535940000
MF FPC	1	9536040000
HG FPC	1	9535990000
Note		

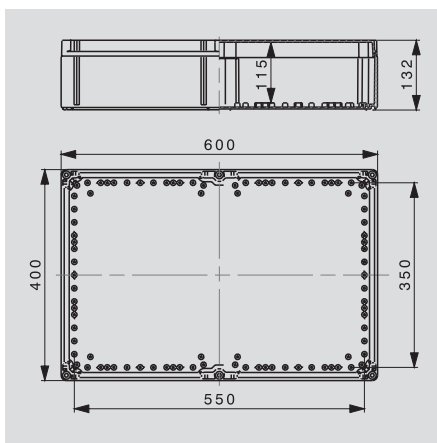
Type	Qty.	Order No.
MP FPC 30/30	1	9535950000
MF FPC	1	9536040000
HG FPC	1	9535990000
Note		

FPC 30/40/13



400 x 300 x 130 (15.75 x 11.81 x 5.12)

FPC 40/60/13



600 x 400 x 130 (23.62 x 15.75 x 5.12)

110	
2199	
Top / Bottom	Left / Right
30	21
18	12
12	8
5	3
4	3
4	2
3x40	
3x33	
3x25	
3x20	

110	
3964	
Top / Bottom	Left / Right
42	30
24	18
16	12
6	5
6	4
4	4
5x59	
5x49	
5x37	
5x30	

Type	Order No.
FPC 30/40/13 7035	9535770000
FPC 30/40/13 trsp	9535760000

Type	Order No.
FPC 40/60/13 7035	9535810000
FPC 40/60/13 trsp	9535820000

Type	Qty.	Order No.
MP FPC 30/40	1	9535960000
MF FPC	1	9536040000
HG FPC	1	9535990000

Type	Qty.	Order No.
MP FPC 40/60	1	9535980000
MF FPC	1	9536040000
HG FPC	1	9535990000